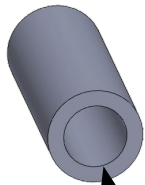
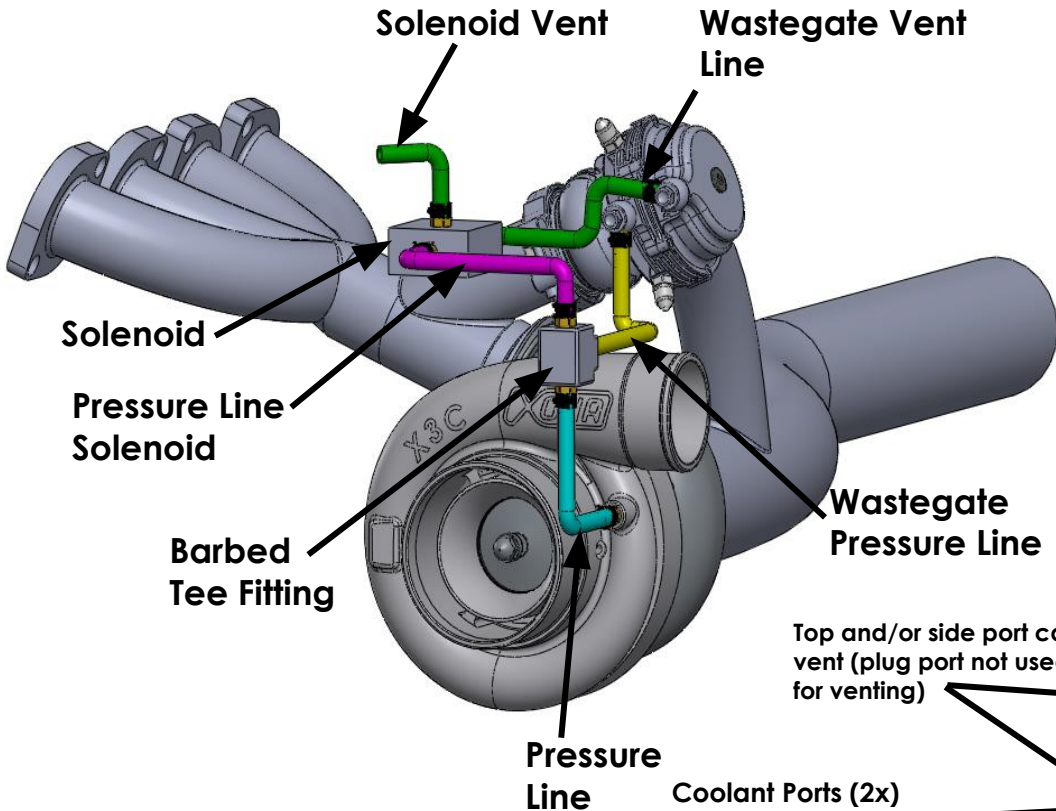


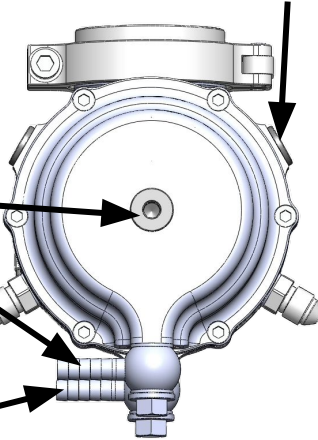
# Single Turbo Wastegate Solenoid Controller



1/4" or 6mm Inner Diameter Hose



Alternate pressure port (must be plugged if not used)(2x)  
M10x1.0 thread

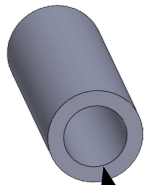


Top and/or side port can vent (plug port not used for venting)

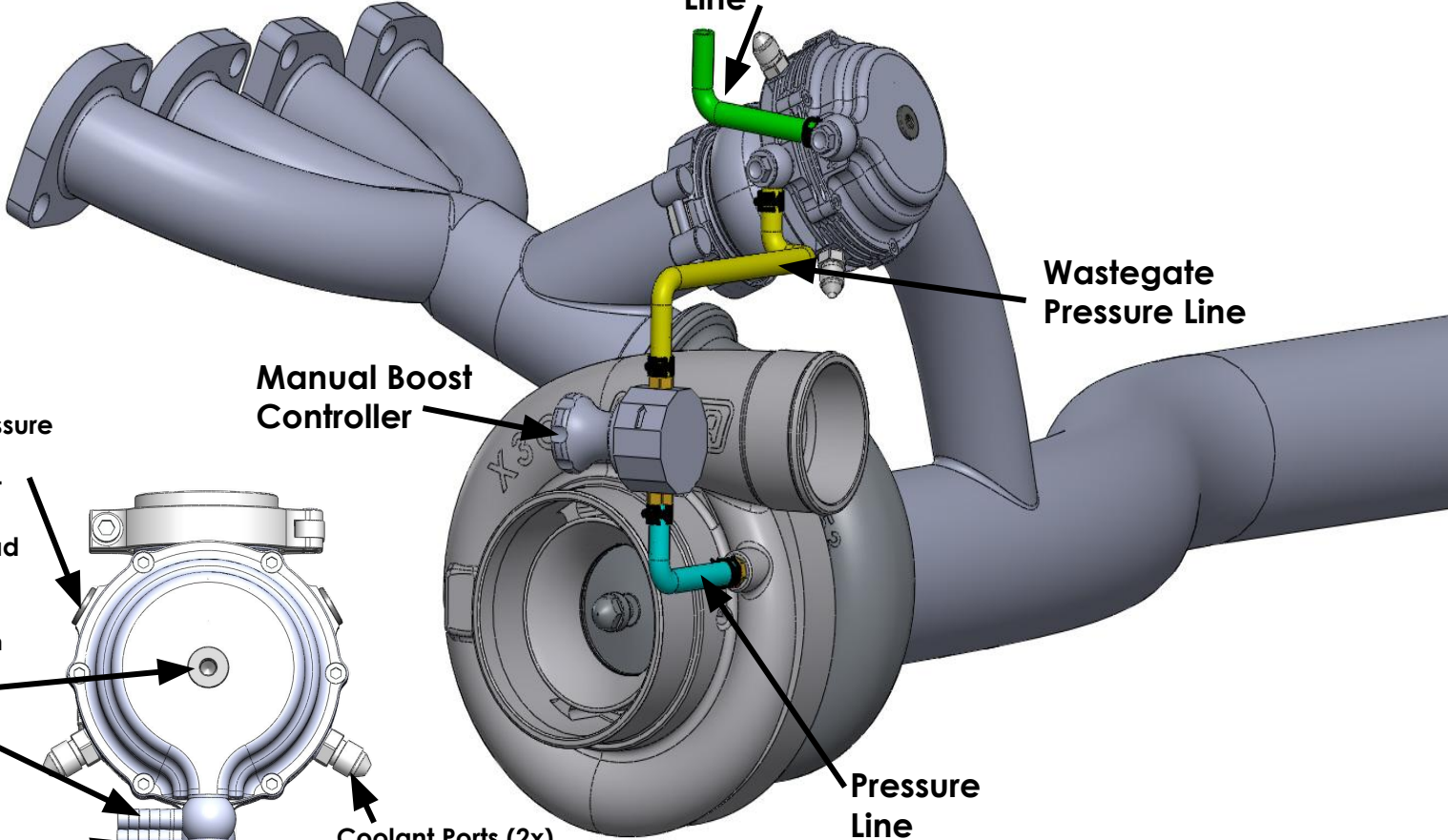
Coolant Ports (2x)  
M8x1.0 thread

Pressure Port M10x1.0 thread

# Single Turbo Wastegate Manual Controller



1/4" or 6mm Inner Diameter Hose



Wastegate Vent Line

Wastegate Pressure Line

Manual Boost Controller

Pressure Line

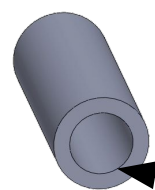
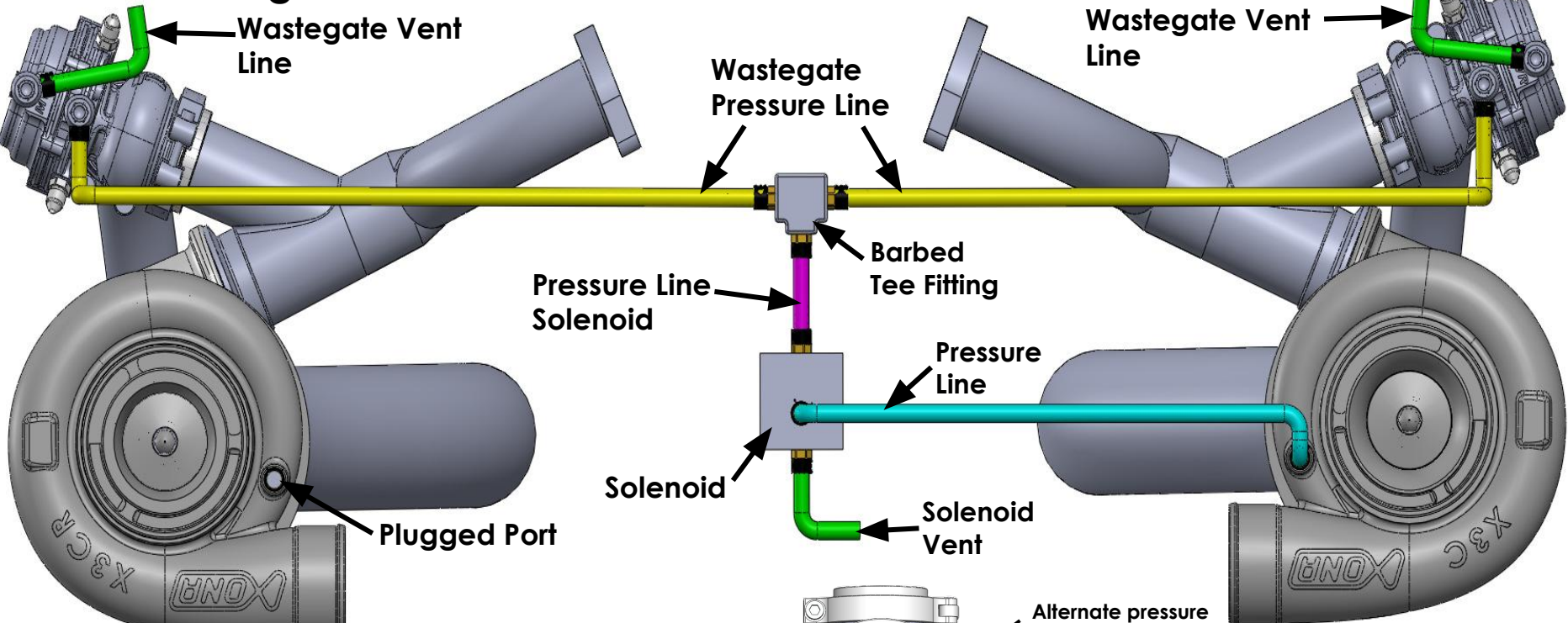
Alternate pressure port (must be plugged if not used)(2x). M10x1.0 thread

Top and/or side port can vent (plug port not used for venting)

Coolant Ports (2x) M8x1.0 thread

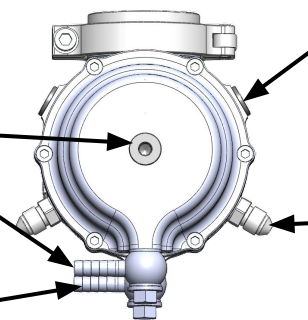
Pressure Port M10x1.0 thread

# Twin Turbo Single Solenoid Controller



1/4" or 6mm Inner Diameter Hose

Top and/or side port can vent (plug port not used for venting)

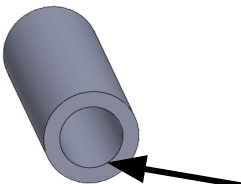
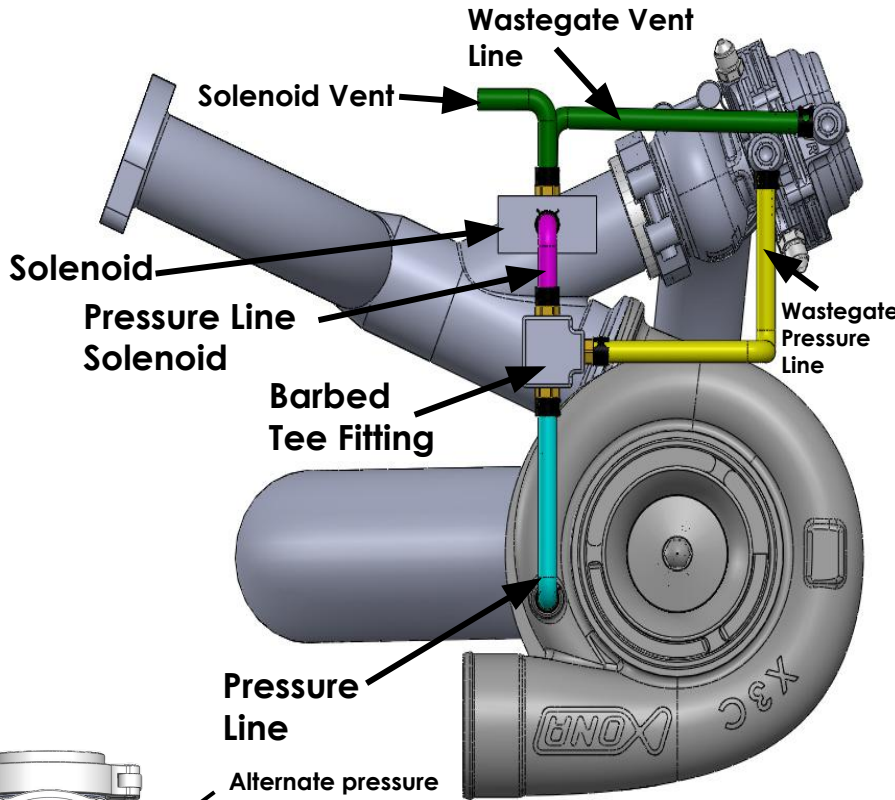
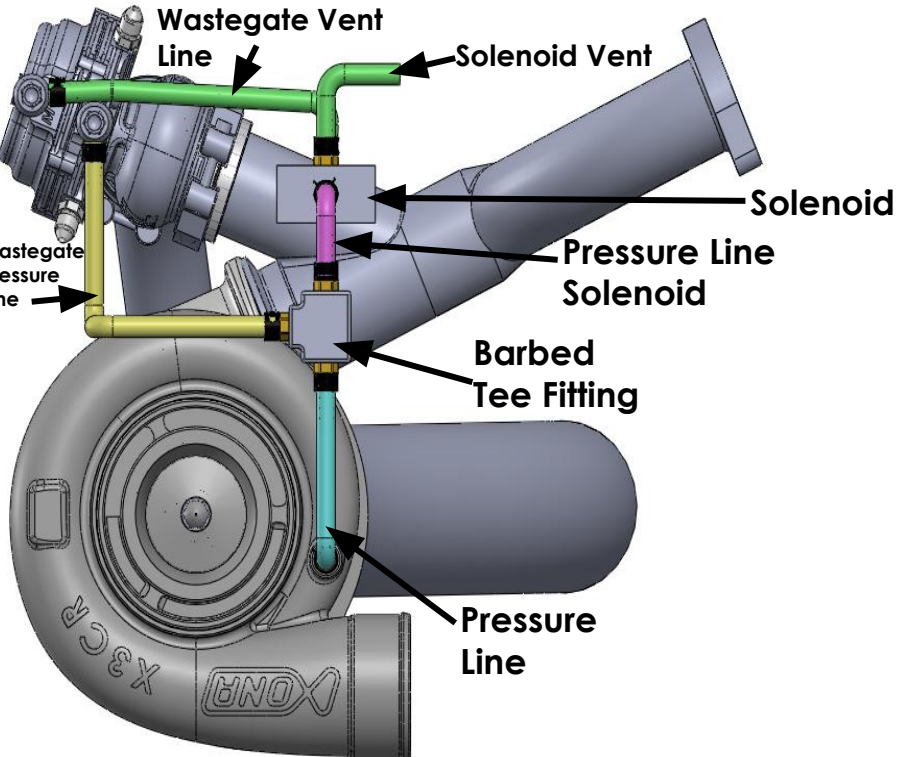


Alternate pressure port (must be plugged if not used)(2x) M10x1.0 thread

Coolant Ports (2x) M8x1.0 thread

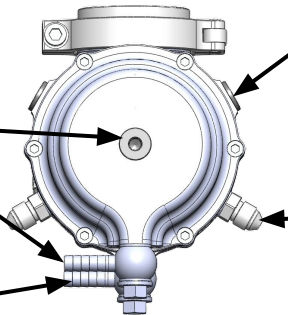
Pressure Port M10x1.0 thread

# Twin Turbo Dual Solenoid Controller



1/4" or 6mm Inner Diameter Hose

Top and/or side port can vent (plug port not used for venting)



- Alternate pressure port (must be plugged if not used)(2x) M10x1.0 thread
- Coolant Ports (2x) M8x1.0 thread
- Pressure Port M10x1.0 thread

Pressure Port M10x1.0 thread