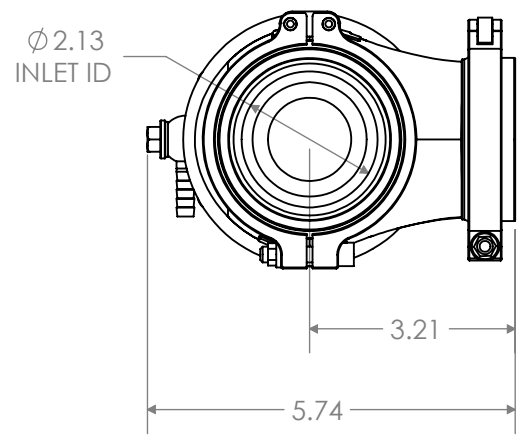
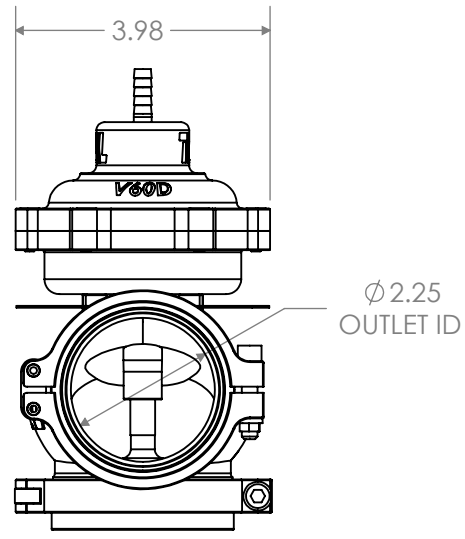
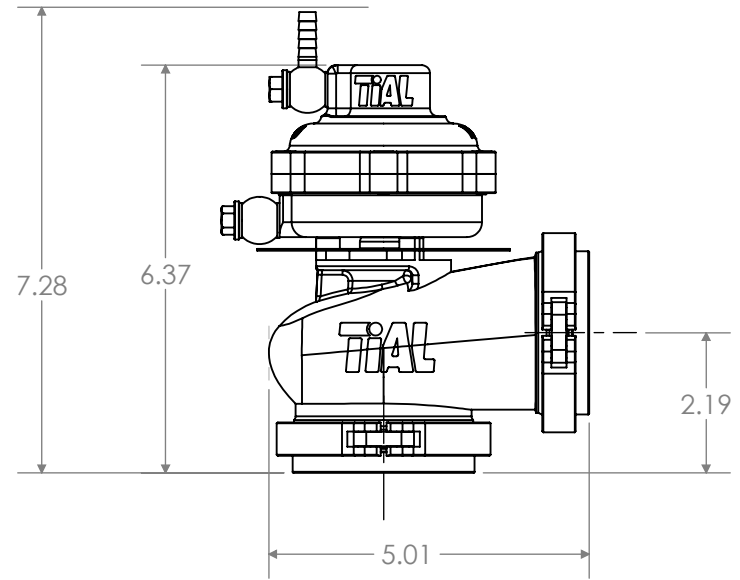
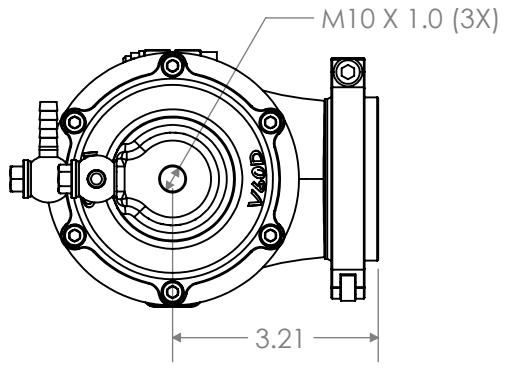


		RELEASED	
REV	DATE	REVISION	DWN
A	10/10/18	RELEASED	EAS
-	-	-	-
-	-	-	-



UNLESS OTHERWISE SPECIFIED:
DIMENSIONS ARE IN INCHES
ANGULAR DIMENSIONS ARE IN
DEGREES



DO NOT SCALE DRAWING

TITLE

V50D/V60D WASTEGATE PUBLIC

SIZE	PART NO.	REV
A		A

PROPRIETARY AND CONFIDENTIAL
THE INFORMATION CONTAINED IN THIS DRAWING IS THE SOLE PROPERTY OF TIAL PRODUCTS.
ANY REPRODUCTION IN PART OR AS A WHOLE WITHOUT THE WRITTEN PERMISSION OF TIAL
PRODUCTS IS STRICTLY PROHIBITED.

MATERIAL	DRAWN:	DATE:	CHECKED:	SHEET:
	EAS	10/10/18		1 OF 1