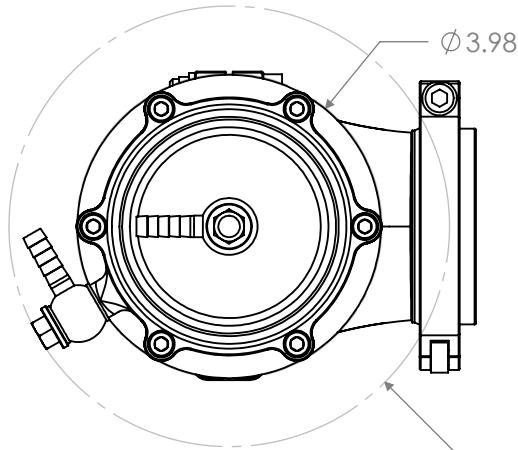
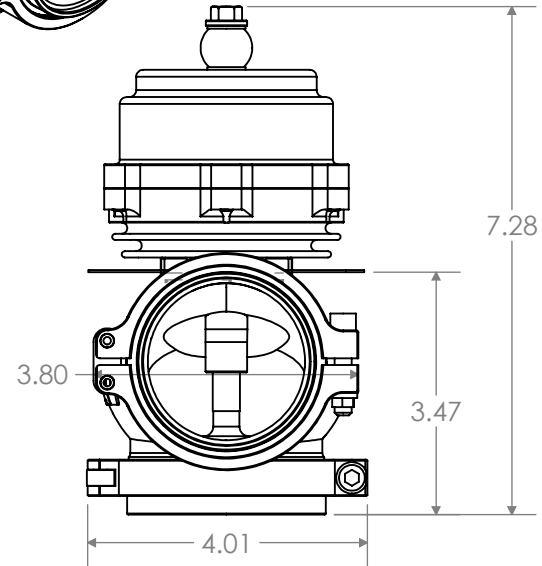
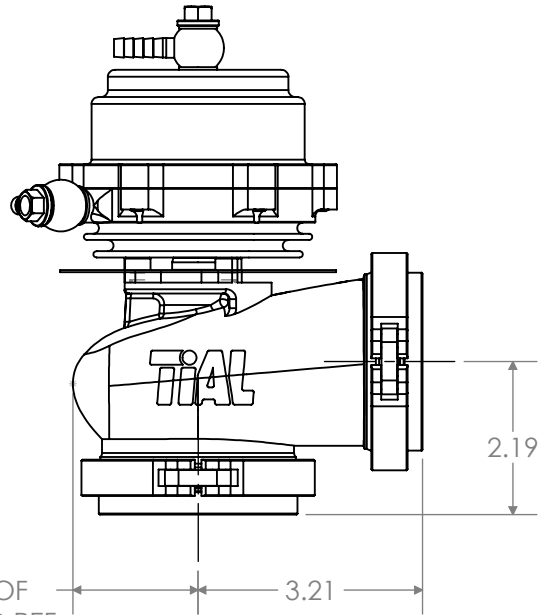
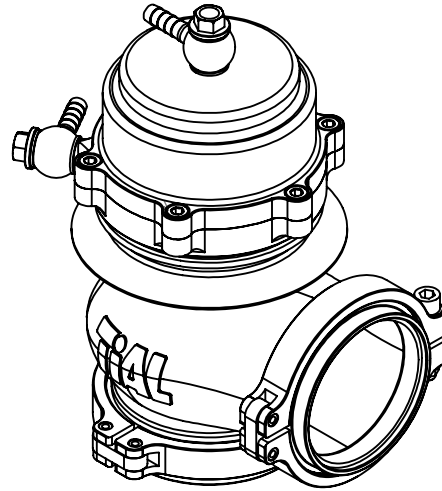


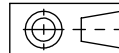
REVISIONS			
REV	DATE	DESCRIPTION	DWN
A	7/5/22	RELEASED	ALM
-	-	-	-
-	-	-	-



$\phi 5.74$   
AIR FITTING  
DIAMETER



1.79  
BACK OF  
CASTING REF



TIAL PRODUCTS  
450 S. SHIAWASSEE  
OWOSSO, MI 48867



UNLESS OTHERWISE SPECIFIED:  
DIMENSIONS ARE IN INCHES  
ANGULAR DIMENSIONS ARE IN  
DEGREES

DO NOT SCALE DRAWING

PART DESCRIPTION

V50/V60 PUBLIC

OP#

TYPE

SIZE

A

PART NO.

REV

A

PROJECT NUMBER:

DRAWN BY:  
ALM

DATE DRAWN:  
7/5/22

CHECKED BY:  
XXX

DATE CHECKED:  
2/26/19

SHEET: 1 OF 1

PROPRIETARY AND CONFIDENTIAL

THE INFORMATION CONTAINED IN THIS DRAWING IS THE SOLE PROPERTY OF TIAL PRODUCTS. ANY REPRODUCTION IN PART OR AS A WHOLE WITHOUT THE WRITTEN PERMISSION OF TIAL PRODUCTS IS STRICTLY PROHIBITED.

MATERIAL