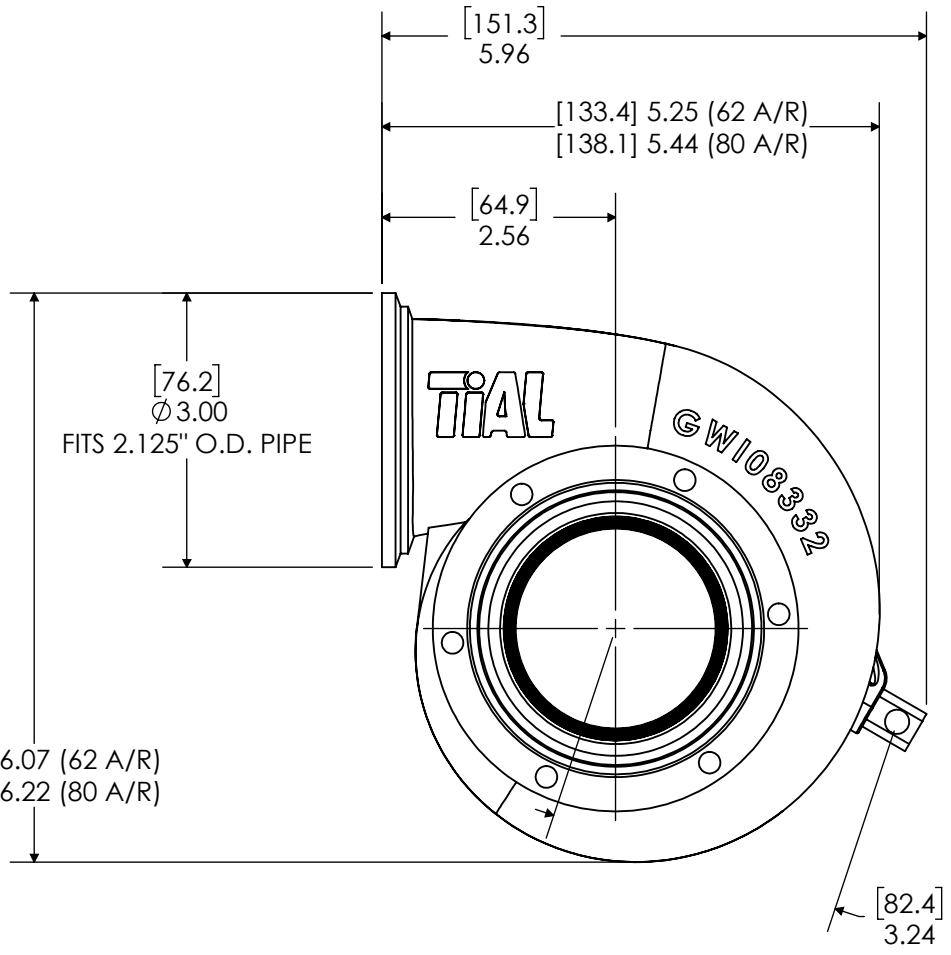
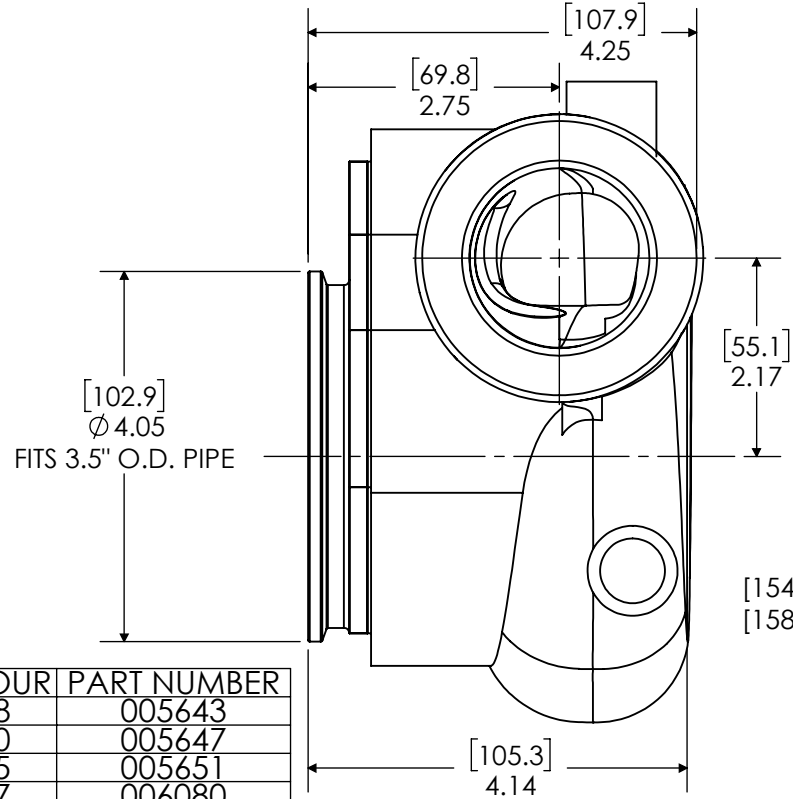
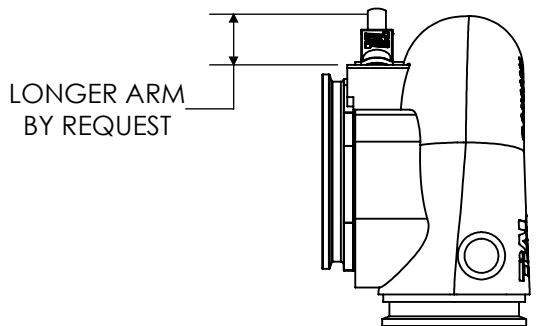


REVISIONS			
REV	DATE	DESCRIPTION	DWN
A	10/3/18	RELEASED	JAB
B	12/20/22	UPDATED SHEET FORMAT	ALM
-	-	-	-



A/R	CONTOUR	PART NUMBER
62	GT28	005643
	GT30	005647
	GT35	005651
	GT37	006080
	XR48	005644
	XR56	005648
	XR64	005652
80	XR67	006081
	GT28	005645
	GT30	005049
	GT35	005653
	GT37	006082
	XR48	005646
	XR56	005650
XR64	005654	
XR67	006083	

PROPRIETARY AND CONFIDENTIAL
 THE INFORMATION CONTAINED IN THIS DRAWING IS THE SOLE PROPERTY OF TIAL PRODUCTS.
 ANY REPRODUCTION IN PART OR AS A WHOLE WITHOUT THE WRITTEN PERMISSION OF TIAL
 PRODUCTS IS STRICTLY PROHIBITED.

 UNLESS OTHERWISE SPECIFIED: ANGULAR DIMENSIONS ARE IN DEGREES DO NOT SCALE DRAWING	 TIAL PRODUCTS 450 S. SHIAWASSEE, OWOSSO, MI 48867	
	TALSPORT	
PART DESCRIPTION TIAL VB IWG XONA XR IWG		REV B
SIZE A	PART NO. SEE CHART	
PROJECT NUMBER: 2022-047		
MATERIAL STAINLESS STEEL	DRAWN BY: ALM	DATE DRAWN: 12/20/22
	CHECKED BY: AJE	DATE CHECKED: 12/21/22
		SHEET: 1 OF 1

Last saved: 12/21/2022 2:06:20 PM by: amcmaster