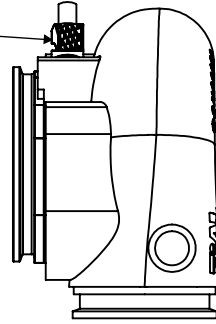
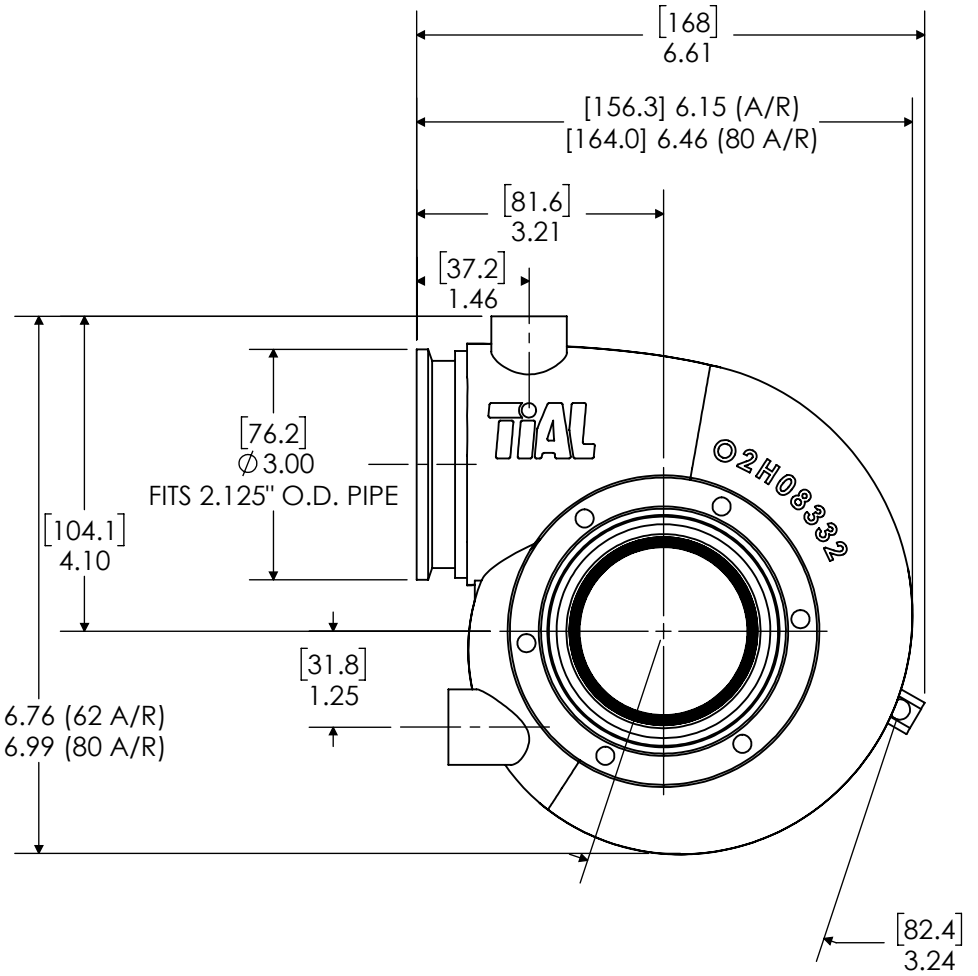
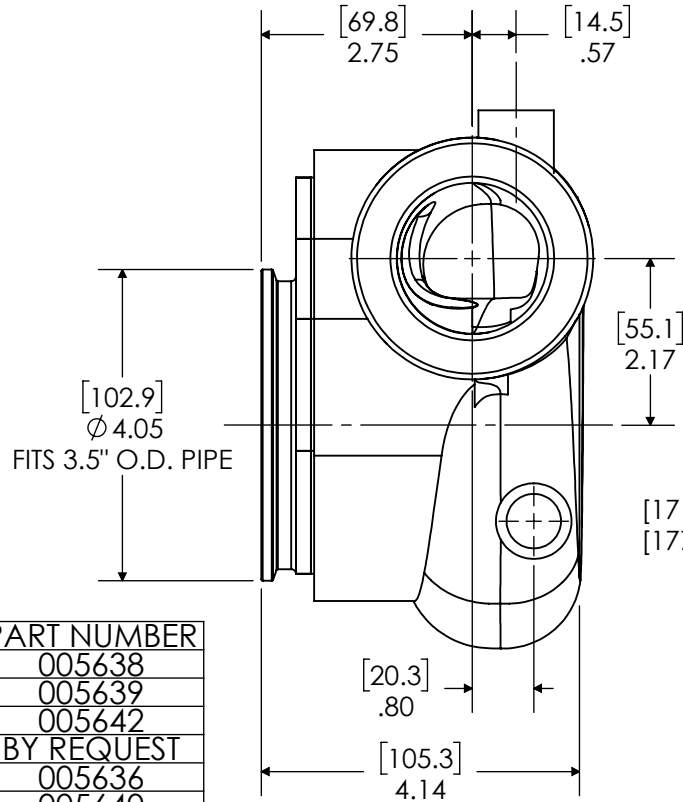


LONGER ARM
BY REQUEST



REVISIONS			
REV	DATE	DESCRIPTION	DWN
A	10/3/18	RELEASED	JAB
B	12/20/22	UPDATED SHEET FORMAT	ALM
-	-	-	-



A/R	CONTOUR	PART NUMBER
62	GT28	005638
	GT30	005639
	GT35	005642
	GT37	BY REQUEST
	XR48	005636
	XR56	005640
	XR64	005641
80	XR67	BY REQUEST
	GT28	006526
	GT30	006527
	GT35	006530
	GT37	006794
	XR48	006525
	XR56	006528
	XR64	006529
	XR67	006795

PROPRIETARY AND CONFIDENTIAL
THE INFORMATION CONTAINED IN THIS DRAWING IS THE SOLE PROPERTY OF TIAL PRODUCTS.
ANY REPRODUCTION IN PART OR AS A WHOLE WITHOUT THE WRITTEN PERMISSION OF TIAL
PRODUCTS IS STRICTLY PROHIBITED.

	TIAL PRODUCTS 450 S. SHIAWASSEE, OWOSSO, MI 48867			
	UNLESS OTHERWISE SPECIFIED: ANGULAR DIMENSIONS ARE IN DEGREES DO NOT SCALE DRAWING			
PART DESCRIPTION TIAL VB H2O XONA XR H2O		SIZE A	PART NO. SEE CHART	REV B
PROJECT NUMBER: 2022-047				
MATERIAL STAINLESS STEEL	DRAWN BY: ALM	DATE DRAWN: 12/20/22	CHECKED BY: AJE	DATE CHECKED: 12/21/22
				SHEET: 1 OF 1

5

4

3

2

1