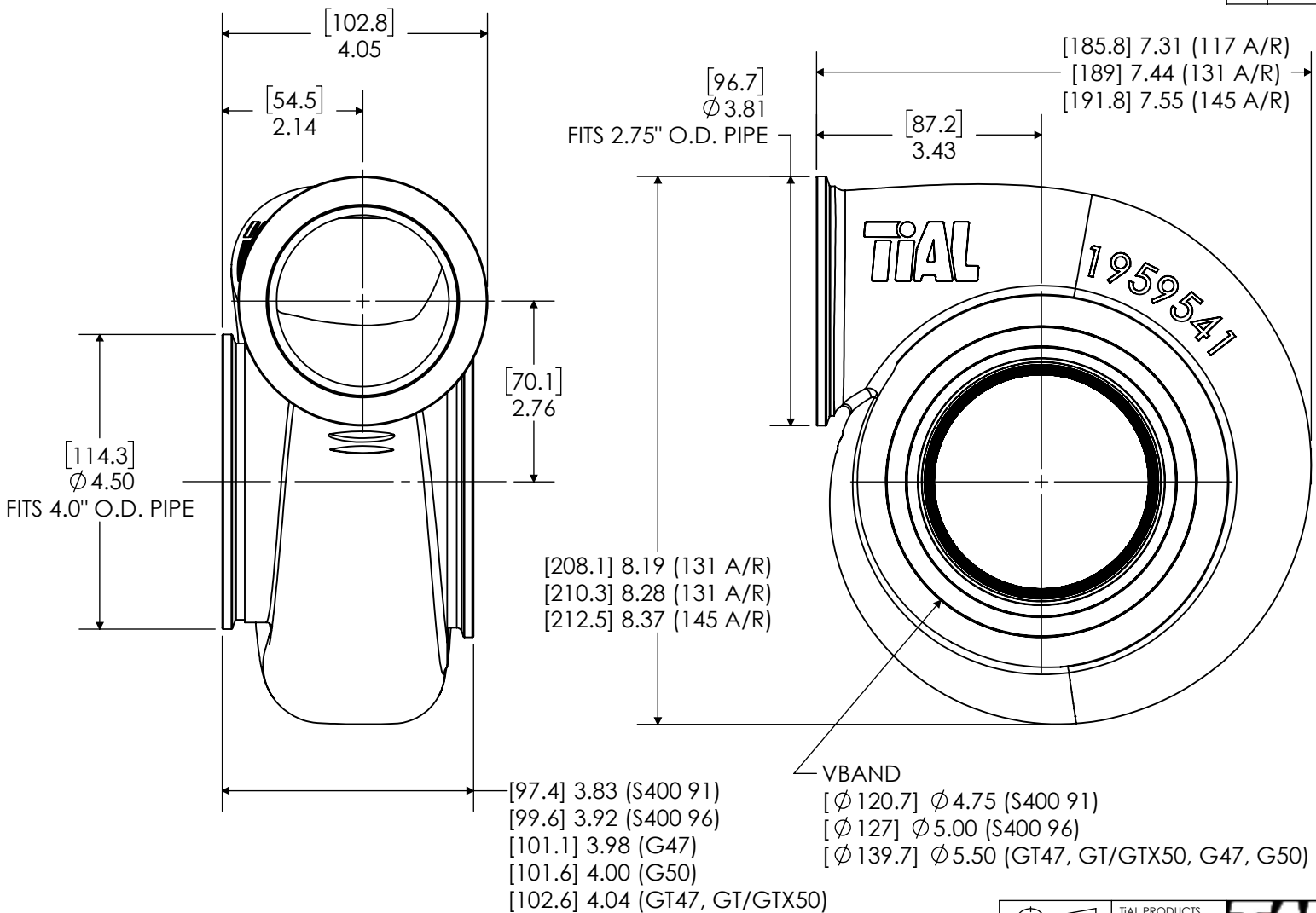


REVISIONS			
REV	DATE	DESCRIPTION	DWN
A	10/2/18	RELEASED	JAB
B	12/13/22	UPDATED SHEET FORMAT	JMV
C	3/21/23	ADDED G47 & G50 CONTOURS	ALM



A/R	CONTOUR	PART NUMBER
117	S400 91	006391
	S400 96	006392
	GT47	007032
	GT/GTX50	006393
	G47	008588
	G50	008561
131	S400 91	006394
	S400 96	006395
	GT47	007033
	GT/GTX50	006396
	G47	008587
	G50	008560
145	S400 91	006397
	S400 96	006398
	GT47	007034
	GT/GTX50	006399
	G47	008586
	G50	008559

UNLESS OTHERWISE SPECIFIED: ANGULAR DIMENSIONS ARE IN DEGREES DO NOT SCALE DRAWING	
SIZE A	PART DESCRIPTION BW S400 91, 96 GT47, GT/GTX 50, G47, G50 PART NO. SEE CHART REV C
PROJECT NUMBER: 2022-047	
MATERIAL STAINLESS STEEL	DRAWN BY: JMV DATE DRAWN: 12/13/22 CHECKED BY: AJE DATE CHECKED: 12/13/22 SHEET: 1 OF 1

PROPRIETARY AND CONFIDENTIAL
 THE INFORMATION CONTAINED IN THIS DRAWING IS THE SOLE PROPERTY OF TIAL PRODUCTS. ANY REPRODUCTION IN PART OR AS A WHOLE WITHOUT THE WRITTEN PERMISSION OF TIAL PRODUCTS IS STRICTLY PROHIBITED.