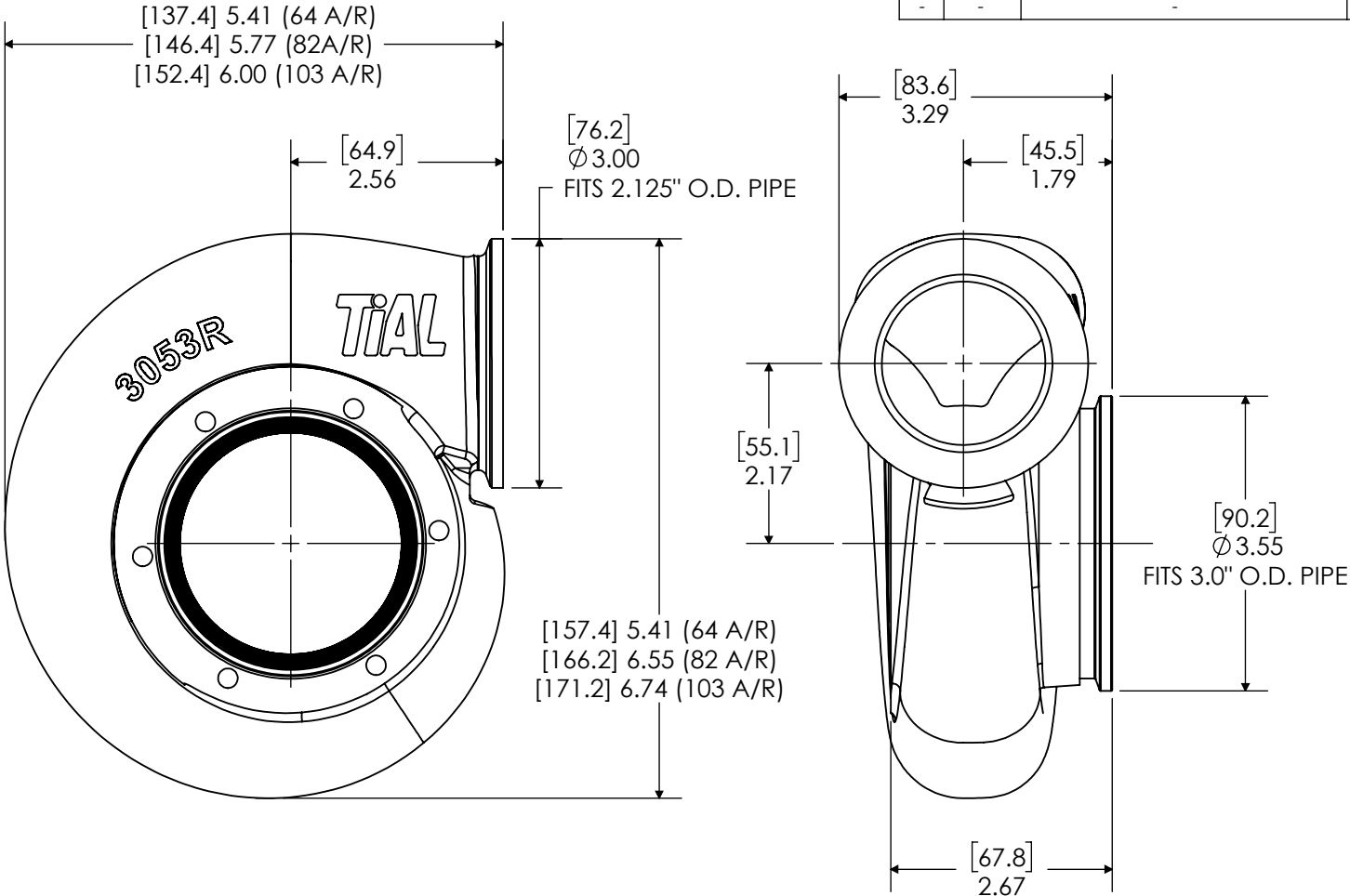
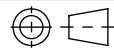


REVISIONS			
REV	DATE	DESCRIPTION	DWN
A	11/29/22	RELEASED	JMV
-	-	-	-
-	-	-	-



A/R	CONTOUR	PART NUMBER
63	GT35R	006648
	XR57SR	008185
	XR64R	006559
	XR64SR	007523
	XR68R	006561
	XR69SR	008527
82	GT35R	006649
	XR57SR	008184
	XR64R	006476
	XR64SR	007524
	XR68R	006560
	XR69SR	008526
103	GT35R	006650
	XR57SR	008183
	XR64R	006477
	XR64SR	007525
	XR68R	006562
	XR69SR	008525

[157.4] 5.41 (64 A/R)  
 [166.2] 6.55 (82 A/R)  
 [171.2] 6.74 (103 A/R)



TIAL PRODUCTS  
 450 S. SHIAWASSEE,  
 OWOSSO, MI 48867



**UNLESS OTHERWISE SPECIFIED:**  
 ANGULAR DIMENSIONS ARE IN DEGREES  
 DO NOT SCALE DRAWING

PART DESCRIPTION TIAL VB 35 REVERSE XONA XR 57S,64,64S,68, 69S REVERSE		
SIZE <b>A</b>	PART NO. <b>SEE CHART</b>	REV <b>A</b>
PROJECT NUMBER: 2022-047		

**PROPRIETARY AND CONFIDENTIAL**  
 THE INFORMATION CONTAINED IN THIS DRAWING IS THE SOLE PROPERTY OF TIAL PRODUCTS.  
 ANY REPRODUCTION IN PART OR AS A WHOLE WITHOUT THE WRITTEN PERMISSION OF TIAL  
 PRODUCTS IS STRICTLY PROHIBITED.

MATERIAL  
**STAINLESS STEEL**

DRAWN BY: JMV	DATE DRAWN: 11/29/22	CHECKED BY: AJE	DATE CHECKED: 12/12/22	SHEET: 1 OF 1
------------------	-------------------------	--------------------	---------------------------	---------------