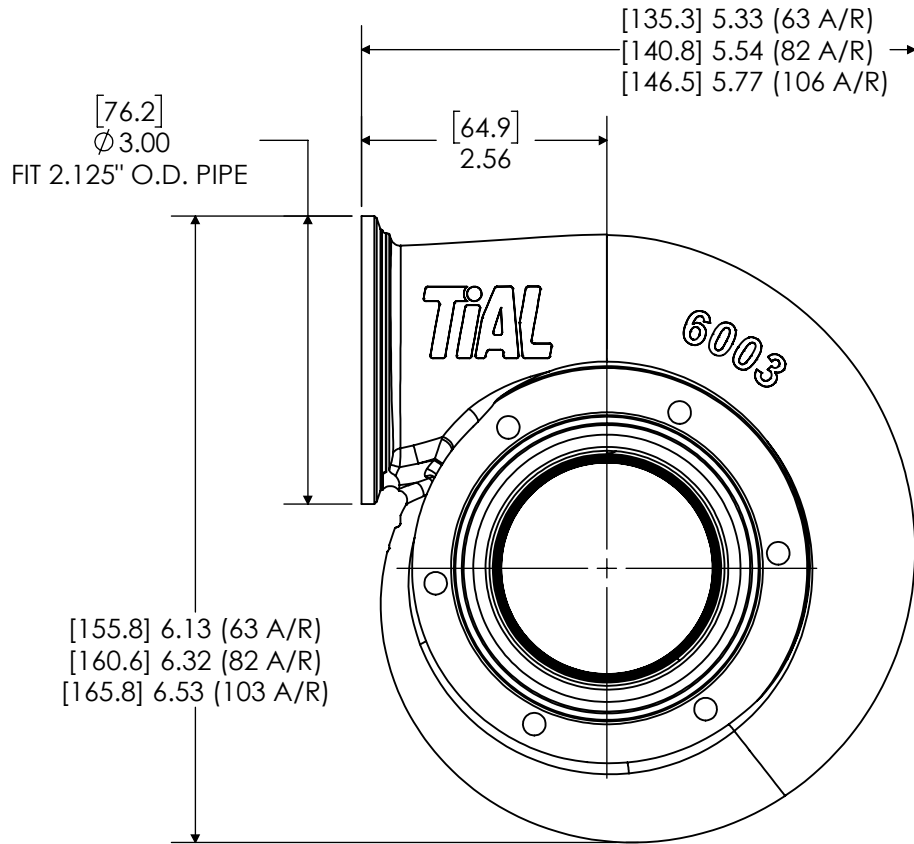
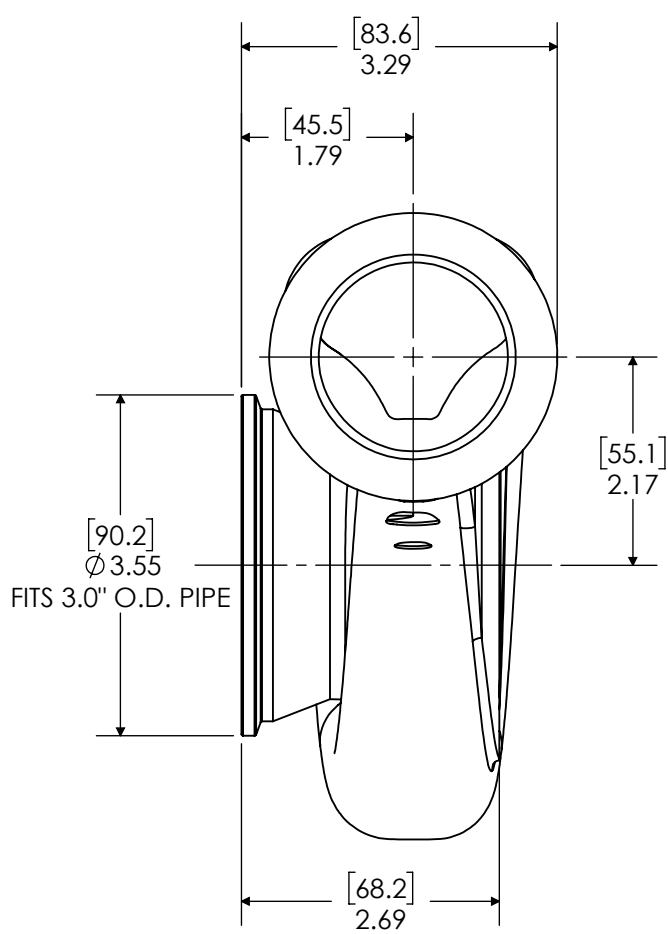


REVISIONS			
REV	DATE	DESCRIPTION	DWN
A	10/2/18	RELEASED	JAB
B	11/29/22	UPDATED SHEET FORMAT	JMV
-	-	-	-



A/R	CONTOUR	PART NUMBER
63	GT 30	002459
	XR 56	005415
	XR57S	006872
82	GT 30	002460
	XR 56	005416
	XR57S	006873
106	GT 30	002458
	XR 56	005414
	XR57S	006874

PROPRIETARY AND CONFIDENTIAL
 THE INFORMATION CONTAINED IN THIS DRAWING IS THE SOLE PROPERTY OF TIAL PRODUCTS. ANY REPRODUCTION IN PART OR AS A WHOLE WITHOUT THE WRITTEN PERMISSION OF TIAL PRODUCTS IS STRICTLY PROHIBITED.

 UNLESS OTHERWISE SPECIFIED: ANGULAR DIMENSIONS ARE IN DEGREES DO NOT SCALE DRAWING	 TIAL PRODUCTS 450 S. SHIAWASSEE, OWOSSO, MI 48867		 TIALSPORT	
	PART DESCRIPTION TIAL VB 30 XONA XR 56, 57S			
MATERIAL STAINLESS STEEL	SIZE A	PART NO. SEE CHART	REV B	
	PROJECT NUMBER: 2022-047			
DRAWN BY: JMV	DATE DRAWN: 11/29/22	CHECKED BY: AJE	DATE CHECKED: 12/9/22	SHEET: 1 OF 1