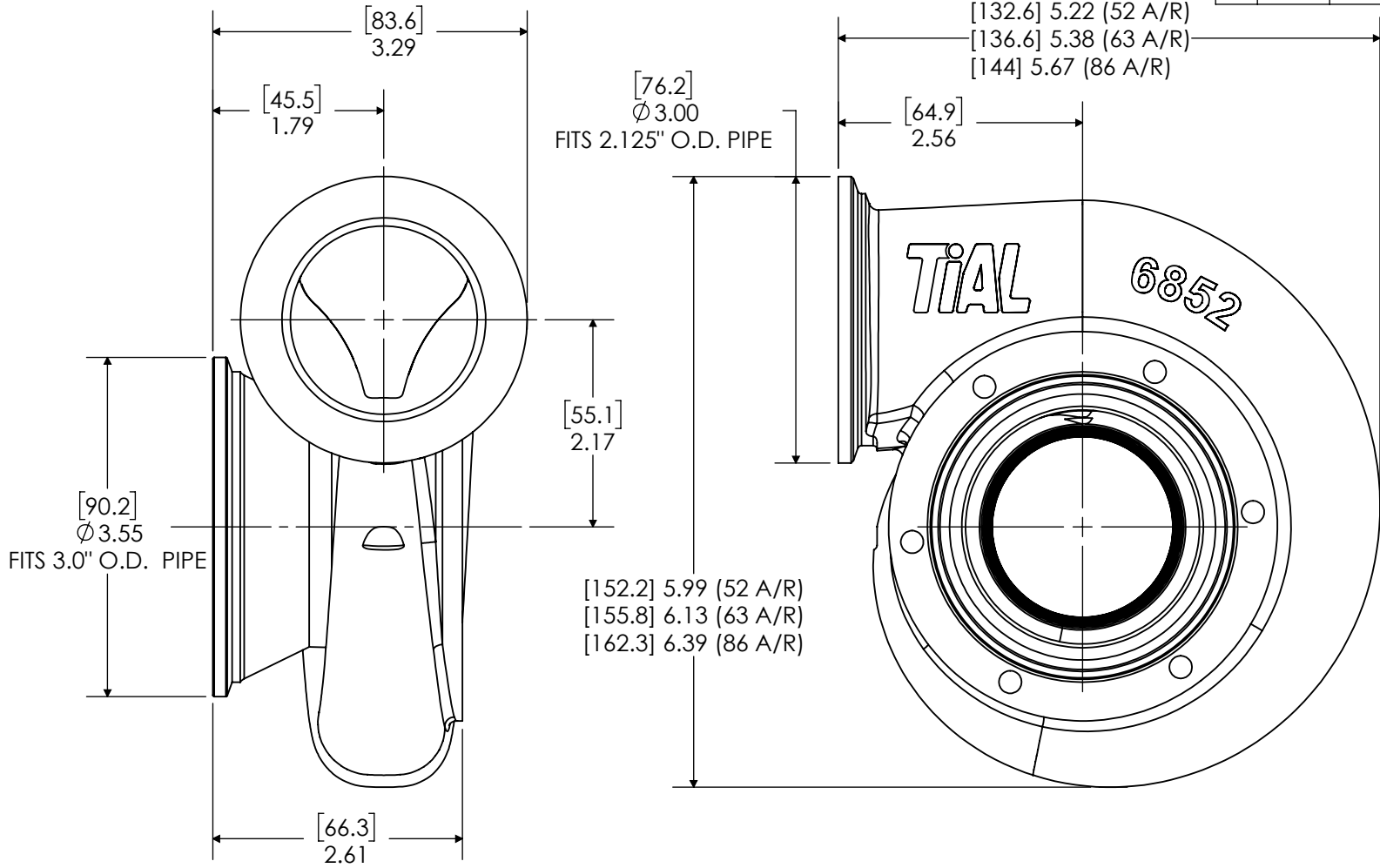


REVISIONS			
REV	DATE	DESCRIPTION	DWN
A	10/1/18	RELEASED	JAB
B	11/29/22	UPDATED SHEET FORMAT	JMV
-	-	-	-



A/R	CONTOUR	PART NUMBER
52	GT28	004097
	XR48	005421
	XR51S	006867
63	GT28	002456
	XR48	005412
	XR51S	006870
86	GT28	002457
	XR48	005413
	XR51S	006871

PROPRIETARY AND CONFIDENTIAL
 THE INFORMATION CONTAINED IN THIS DRAWING IS THE SOLE PROPERTY OF TIAL PRODUCTS. ANY REPRODUCTION IN PART OR AS A WHOLE WITHOUT THE WRITTEN PERMISSION OF TIAL PRODUCTS IS STRICTLY PROHIBITED.

<p>TIAL PRODUCTS 450 S. SHIAWASSEE, OWOSSO, MI 48867</p> <p>UNLESS OTHERWISE SPECIFIED: ANGULAR DIMENSIONS ARE IN DEGREES DO NOT SCALE DRAWING</p> <p>MATERIAL STAINLESS STEEL</p>			
	<p>PART DESCRIPTION TIAL VB 28 XONA XR 48, 51S</p>		
	<p>SIZE A</p>	<p>PART NO. SEE CHART</p>	<p>REV B</p>
	<p>PROJECT NUMBER: 2022-047</p>		
<p>DRAWN BY: JMV</p>	<p>DATE DRAWN: 11/29/22</p>	<p>CHECKED BY: AJE</p>	<p>DATE CHECKED: 12/9/22</p>
<p>SHEET: 1 OF 1</p>			