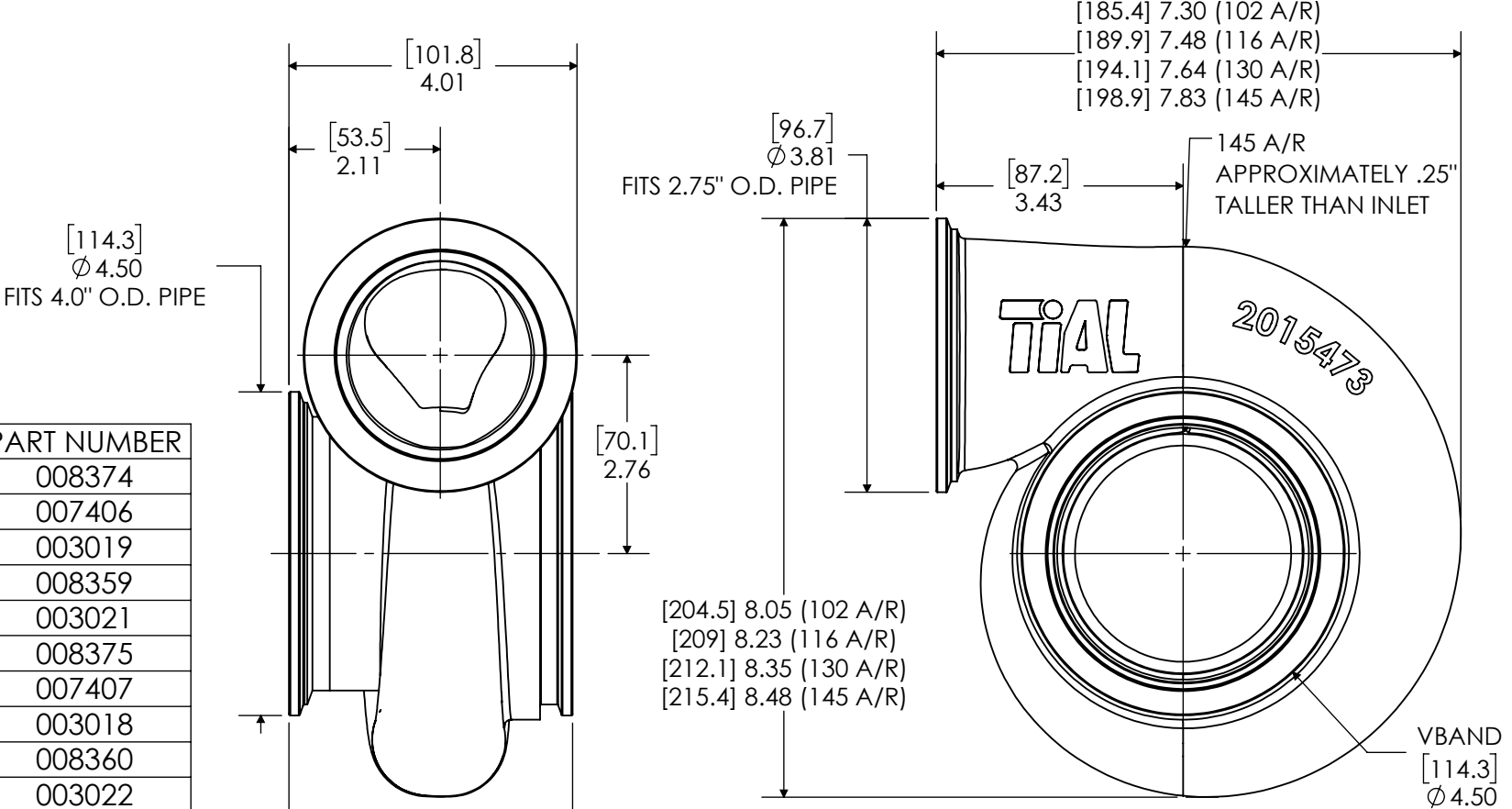




REVISIONS			
REV	DATE	DESCRIPTION	DWN
A	10/4/18	RELEASED	JAB
B	12/9/22	UPDATED SHEET FORMAT	JMV
-	-	-	-



A/R	CONTOUR	PART NUMBER
102	G40	008374
	G42	007406
	GT42	003019
	G45	008359
	GT45	003021
116	G40	008375
	G42	007407
	GT42	003018
	G45	008360
	GT45	003022
130	G40	008376
	G42	007408
	GT42	003020
	G45	008361
	GT45	003023
145	G40	008377
	G42	007409
	GT42	007312
	G45	008362
	GT45	007317

**PROPRIETARY AND CONFIDENTIAL**  
 THE INFORMATION CONTAINED IN THIS DRAWING IS THE SOLE PROPERTY OF TIAL PRODUCTS.  
 ANY REPRODUCTION IN PART OR AS A WHOLE WITHOUT THE WRITTEN PERMISSION OF TIAL  
 PRODUCTS IS STRICTLY PROHIBITED.

			
<b>UNLESS OTHERWISE SPECIFIED:</b> ANGULAR DIMENSIONS ARE IN DEGREES  DO NOT SCALE DRAWING		<b>PART DESCRIPTION</b> TIAL GT42, GT45, G40, G42, G45 HOUSING	
<b>SIZE</b> <b>A</b>	<b>PART NO.</b> <b>SEE CHART</b>	<b>REV</b> <b>B</b>	
<b>PROJECT NUMBER: 2022-047</b>			
<b>MATERIAL</b> STAINLESS STEEL	DRAWN BY: JMV	DATE DRAWN: 12/9/22	CHECKED BY: AJE
		DATE CHECKED: 12/12/22	SHEET: 1 OF 1