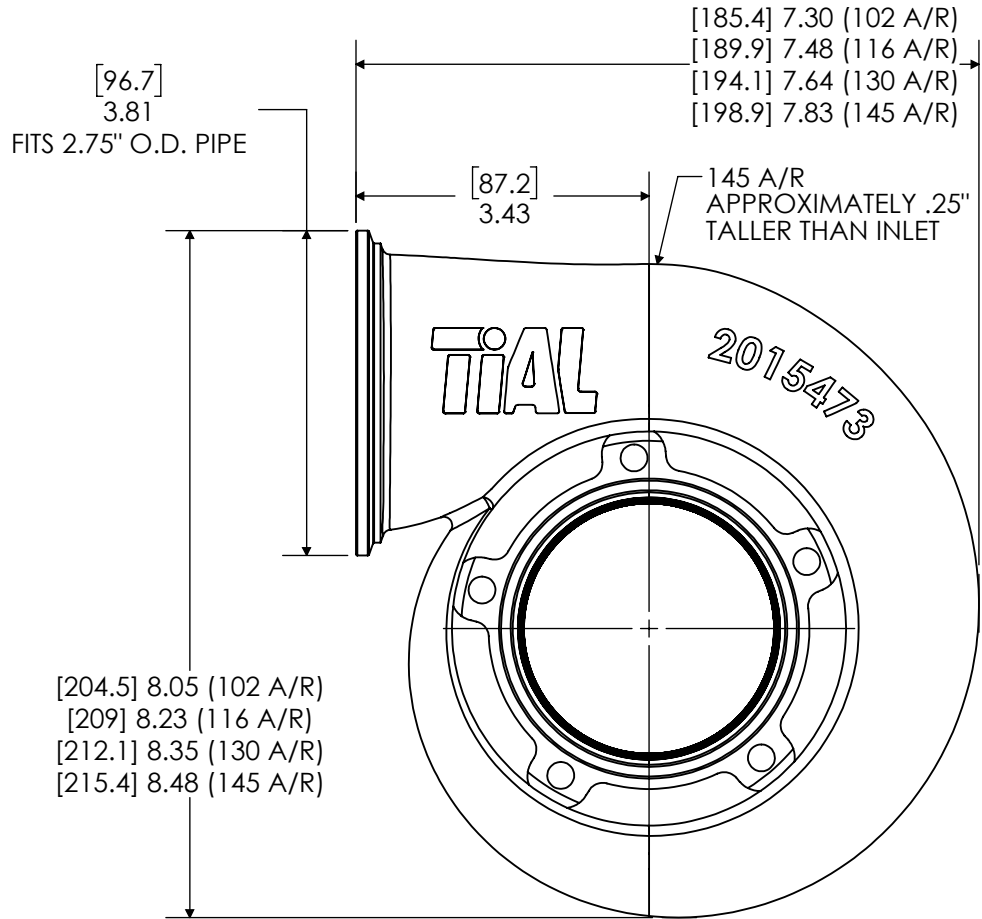
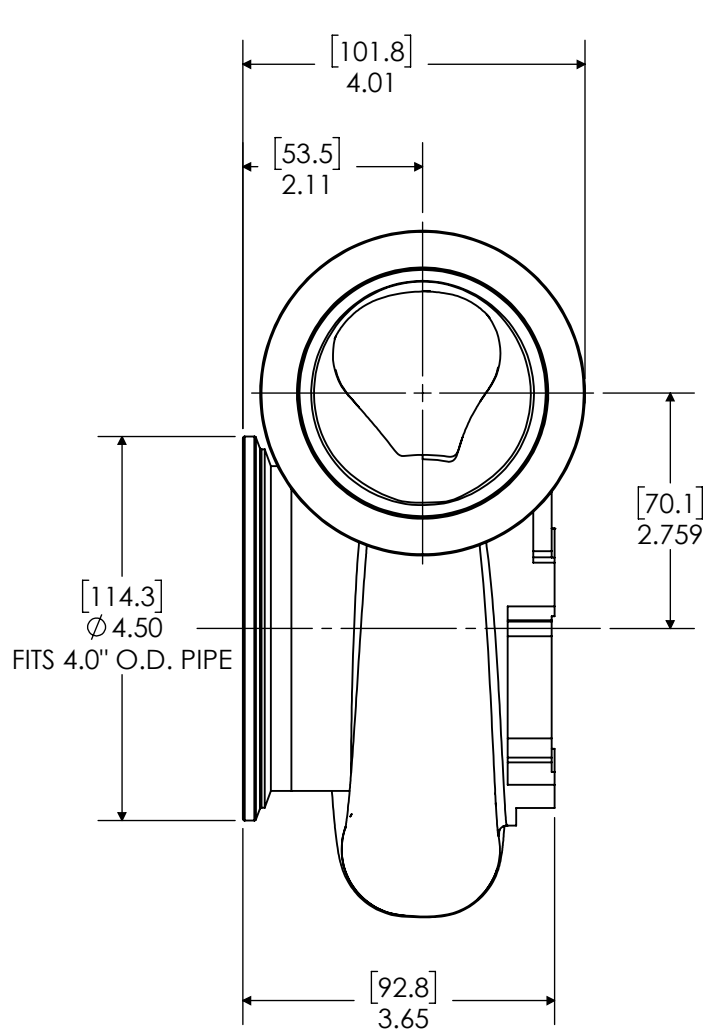


REVISIONS			
REV	DATE	DESCRIPTION	DWN
A	10/4/18	RELEASED	JAB
B	12/10/22	UPDATED SHEET FORMAT	JMV
-	-	-	-



A/R	CONTOUR	PART NUMBER
102	S300 80MM	005791
116		005792
130		006256
145		BY REQUEST

PROPRIETARY AND CONFIDENTIAL
 THE INFORMATION CONTAINED IN THIS DRAWING IS THE SOLE PROPERTY OF TIAL PRODUCTS. ANY REPRODUCTION IN PART OR AS A WHOLE WITHOUT THE WRITTEN PERMISSION OF TIAL PRODUCTS IS STRICTLY PROHIBITED.

		TALSPORT	
UNLESS OTHERWISE SPECIFIED: ANGULAR DIMENSIONS ARE IN DEGREES DO NOT SCALE DRAWING		PART DESCRIPTION TIAL BW S300 80MM	
SIZE A	PART NO. SEE CHART	REV B	
PROJECT NUMBER: 2022-047			
MATERIAL STAINLESS STEEL	DRAWN BY: JMV	DATE DRAWN: 12/10/22	CHECKED BY: AJE
		DATE CHECKED: 12/12/22	SHEET: 1 OF 1

5

4

3

2

1