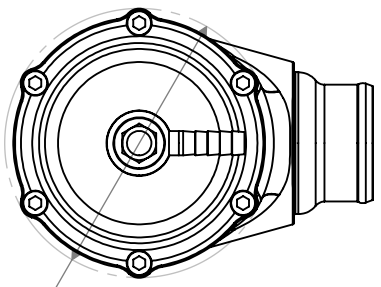
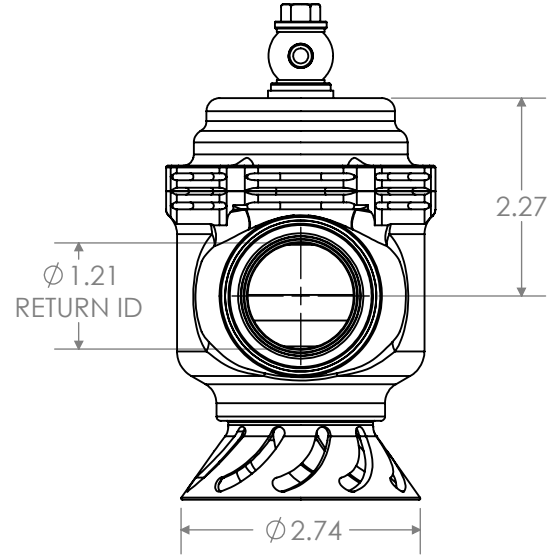
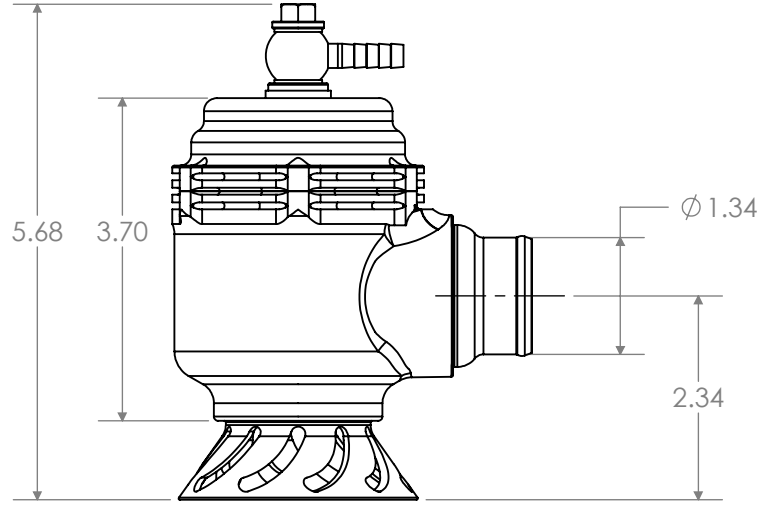
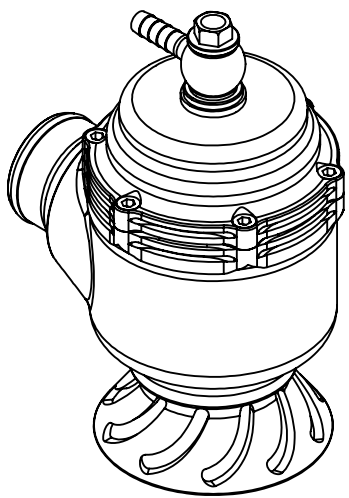



REVISIONS			
REV	DATE	DESCRIPTION	DWN
A	4/16/18	RELEASED	AJE
-	-	-	-
-	-	-	-



Ø 3.09



	TIAL PRODUCTS 450 S. SHIAWASSEE OWOSSO, MI 48867	
	PART DESCRIPTION QRJ BOV PUBLIC	
UNLESS OTHERWISE SPECIFIED: DIMENSIONS ARE IN INCHES ANGULAR DIMENSIONS ARE IN DEGREES	OP#	TYPE
DO NOT SCALE DRAWING	SIZE A	PART NO.
PROPRIETARY AND CONFIDENTIAL THE INFORMATION CONTAINED IN THIS DRAWING IS THE SOLE PROPERTY OF TIAL PRODUCTS. ANY REPRODUCTION IN PART OR AS A WHOLE WITHOUT THE WRITTEN PERMISSION OF TIAL PRODUCTS IS STRICTLY PROHIBITED.	MATERIAL	REV A
DRAWN BY: AJE	DATE DRAWN: 4/16/18	CHECKED BY: XXX
DATE CHECKED: 12/17/15	SHEET: 1 OF 1	