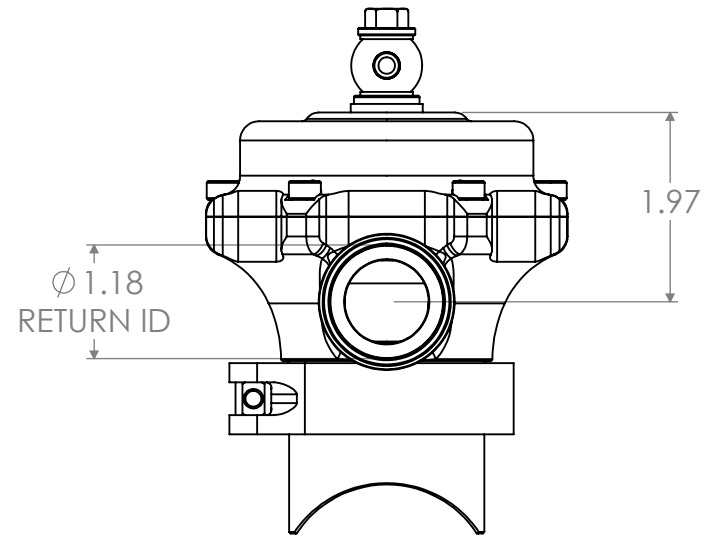
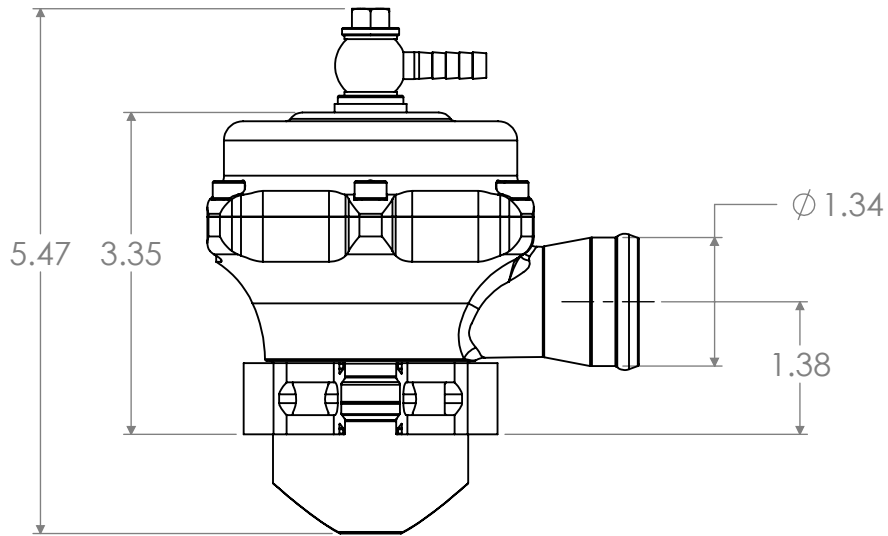


REV	DATE	RELEASED REVISION	DWN
A	10/20/16	RELEASED	EAS
-	-	-	-
-	-	-	-



UNLESS OTHERWISE SPECIFIED:
DIMENSIONS ARE IN INCHES
ANGULAR DIMENSIONS ARE IN DEGREES

DO NOT SCALE DRAWING



TITLE QR W/ 34MM TUBE
ADAPTER ASSEMBLY
PUBLIC

SIZE A	PART NO.	REV A
-----------	----------	----------

PROPRIETARY AND CONFIDENTIAL
THE INFORMATION CONTAINED IN THIS DRAWING IS THE SOLE PROPERTY OF TIAL PRODUCTS.
ANY REPRODUCTION IN PART OR AS A WHOLE WITHOUT THE WRITTEN PERMISSION OF TIAL
PRODUCTS IS STRICTLY PROHIBITED.

MATERIAL

DRAWN: EAS	DATE: 10/20/16	CHECKED:	SHEET: 1 OF 1
---------------	-------------------	----------	---------------

5

4

3

2

1