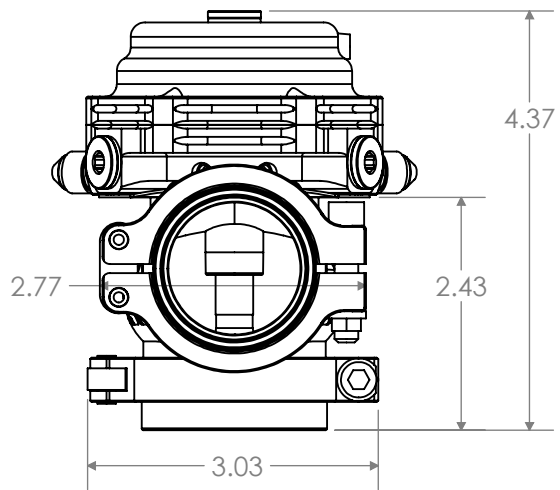
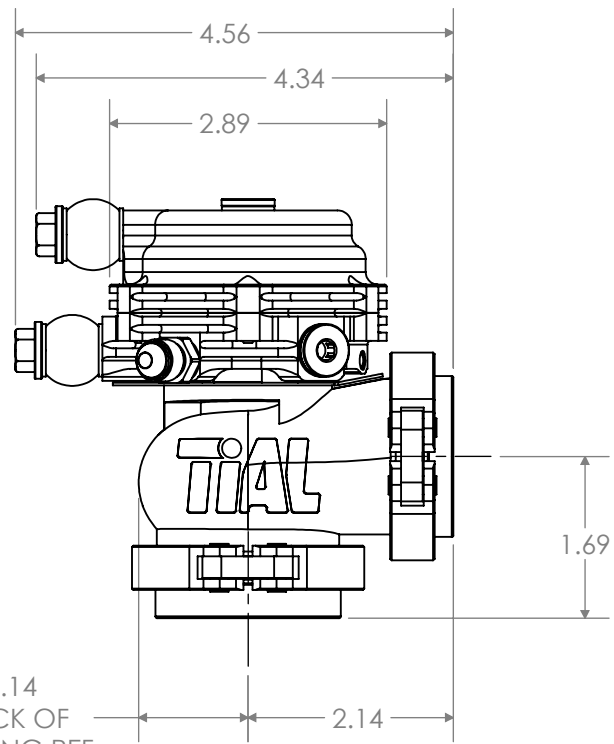
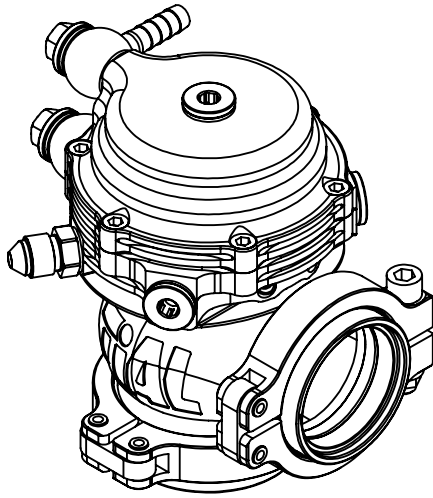
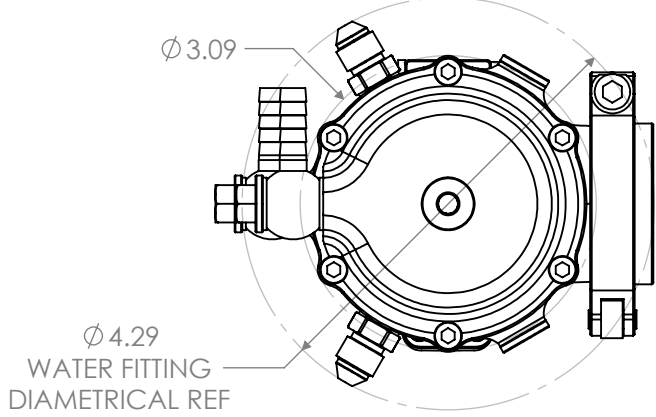


REVISIONS			
REV	DATE	DESCRIPTION	DWN
A	4/12/18	RELEASED	AJE
-	-	-	-
-	-	-	-



	TIAL PRODUCTS 450 S. SHIAWASSEE OWOSSO, MI 48867			
	<b>TIAL SPORT</b>			
UNLESS OTHERWISE SPECIFIED: DIMENSIONS ARE IN INCHES ANGULAR DIMENSIONS ARE IN DEGREES		PART DESCRIPTION <b>MVS PUBLIC</b>		
DO NOT SCALE DRAWING		OP#	TYPE	
SIZE <b>A</b>	PART NO.		REV <b>A</b>	
MATERIAL _____	DRAWN BY: AJE	DATE DRAWN: 4/12/18	CHECKED BY: XXX	DATE CHECKED: 12/17/15
				SHEET: 1 OF 1

PROPRIETARY AND CONFIDENTIAL  
 THE INFORMATION CONTAINED IN THIS DRAWING IS THE SOLE PROPERTY OF TIAL PRODUCTS.  
 ANY REPRODUCTION IN PART OR AS A WHOLE WITHOUT THE WRITTEN PERMISSION OF TIAL  
 PRODUCTS IS STRICTLY PROHIBITED.