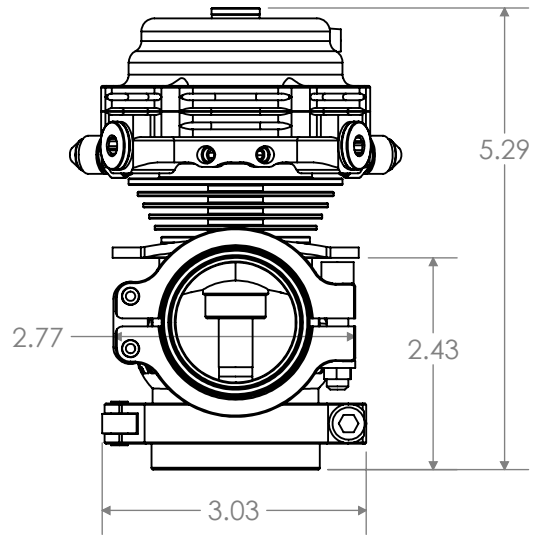
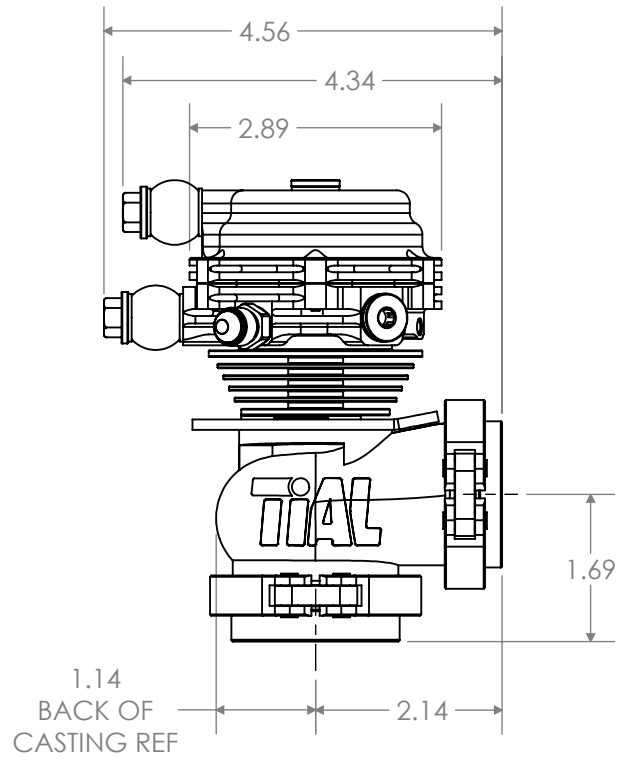
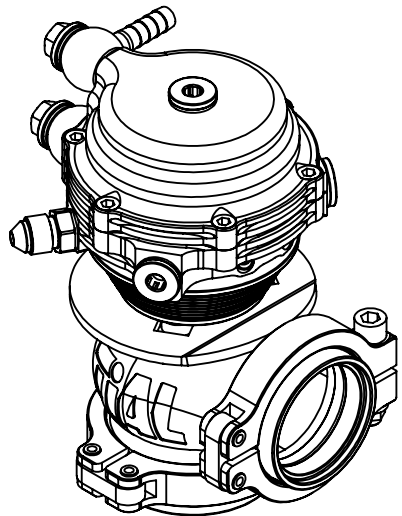
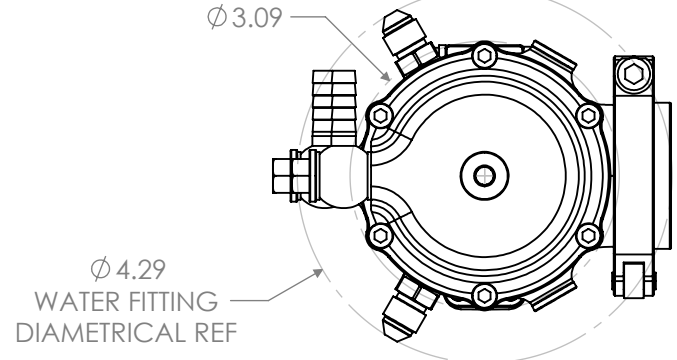
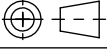


REVISIONS			
REV	DATE	DESCRIPTION	DWN
A	12/14/18	RELEASED	AJE
-	-	-	-
-	-	-	-

NOTES:
 1) xxxxxxxxxxxxxxxx
 2) xxxxx



 TIAL PRODUCTS 450 S. SHIAWASSEE OWOSSO, MI 48867	PART DESCRIPTION MVS-A-R PUBLIC			
	DO NOT SCALE DRAWING	OP#	TYPE	
MATERIAL	SIZE A	PART NO.	REV A	SHEET: 1 OF 1
UNLESS OTHERWISE SPECIFIED: DIMENSIONS ARE IN INCHES ANGULAR DIMENSIONS ARE IN DEGREES	DRAWN BY: AJE	DATE DRAWN: 12/14/18	CHECKED BY: XXX	DATE CHECKED: 12/17/15

PROPRIETARY AND CONFIDENTIAL
 THE INFORMATION CONTAINED IN THIS DRAWING IS THE SOLE PROPERTY OF TIAL PRODUCTS.
 ANY REPRODUCTION IN PART OR AS A WHOLE WITHOUT THE WRITTEN PERMISSION OF TIAL
 PRODUCTS IS STRICTLY PROHIBITED.