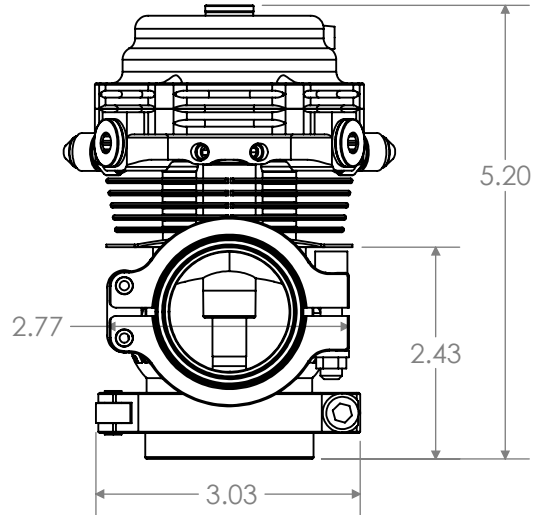
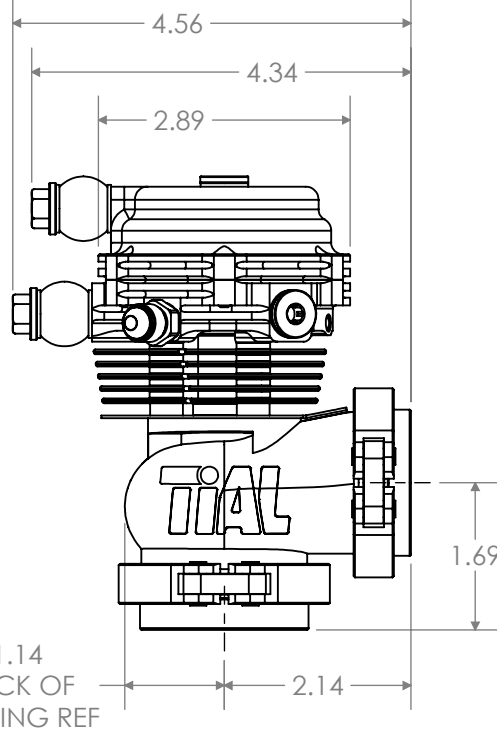
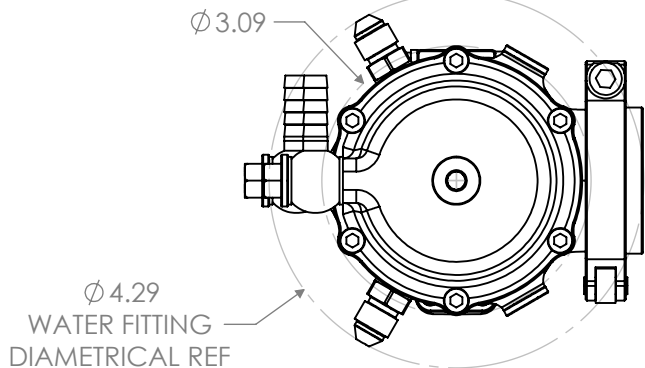
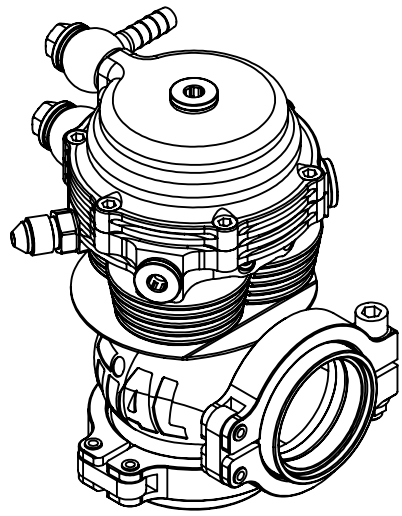


REVISIONS			
REV	DATE	DESCRIPTION	DWN
A	12/14/18	RELEASED	AJE
-	-	-	-
-	-	-	-

NOTES:  
 1) xxxxxxxxxxxxxxxx  
 2) xxxxx



		TIAL PRODUCTS 450 S. SHIAWASSEE OWOSSO, MI 48867	
UNLESS OTHERWISE SPECIFIED: DIMENSIONS ARE IN INCHES ANGULAR DIMENSIONS ARE IN DEGREES			
DO NOT SCALE DRAWING			
PART DESCRIPTION <b>MVS-A PUBLIC</b>		OP#	TYPE
SIZE <b>A</b>	PART NO.	REV <b>A</b>	
MATERIAL	DRAWN BY: AJE	DATE DRAWN: 12/14/18	CHECKED BY: XXX DATE CHECKED: 12/17/15
			SHEET: 1 OF 1

PROPRIETARY AND CONFIDENTIAL  
 THE INFORMATION CONTAINED IN THIS DRAWING IS THE SOLE PROPERTY OF TIAL PRODUCTS.  
 ANY REPRODUCTION IN PART OR AS A WHOLE WITHOUT THE WRITTEN PERMISSION OF TIAL  
 PRODUCTS IS STRICTLY PROHIBITED.