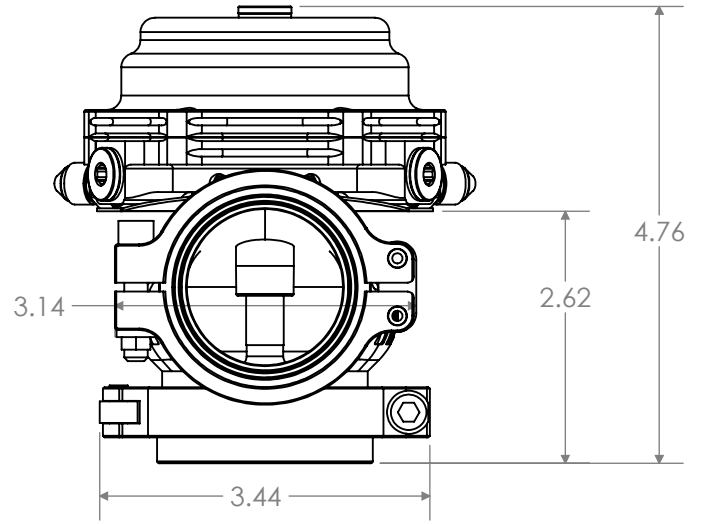
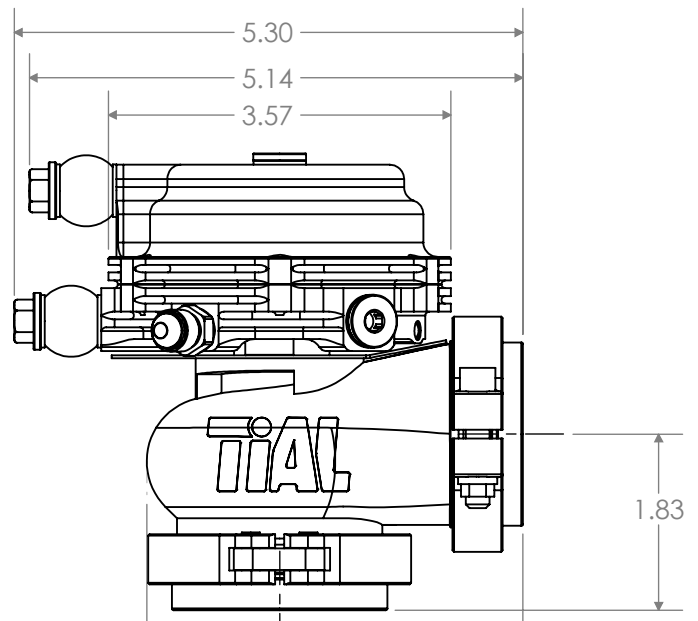
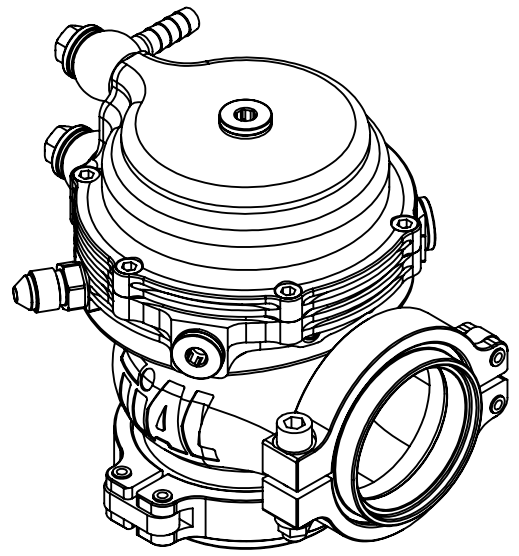
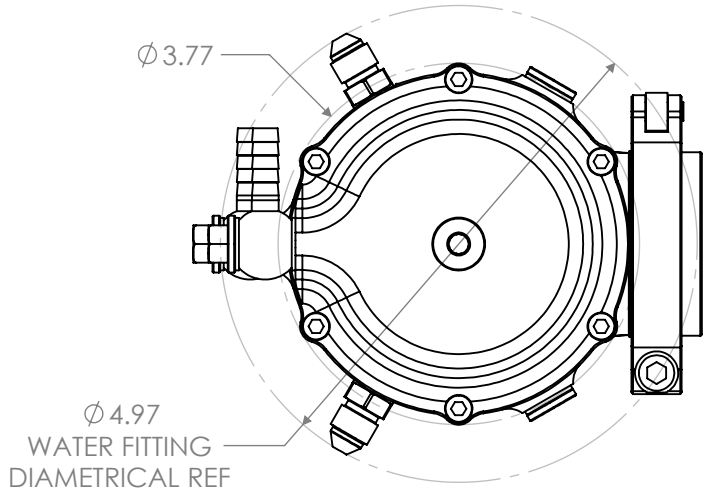


REV	DATE	RELEASED REVISION	DWN
A	10/29/14	RELEASED	ES
-	-	-	-
-	-	-	-



UNLESS OTHERWISE SPECIFIED:
 DIMENSIONS ARE IN INCHES
 ANGULAR DIMENSIONS ARE IN DEGREES

DO NOT SCALE DRAWING



TITLE		MVR PUBLIC	
SIZE	PART NO.	REV	A
A		A	
DRAWN:	DATE:	CHECKED:	SHEET: 1 OF 1
ES	10/19/14	(XX)	

PROPRIETARY AND CONFIDENTIAL
 THE INFORMATION CONTAINED IN THIS DRAWING IS THE SOLE PROPERTY OF TIAL PRODUCTS.
 ANY REPRODUCTION IN PART OR AS A WHOLE WITHOUT THE WRITTEN PERMISSION OF TIAL PRODUCTS IS STRICTLY PROHIBITED.

MATERIAL

5 4 3 2 1

Last saved: 4/16/2018 2:32:40 PM by: aeby