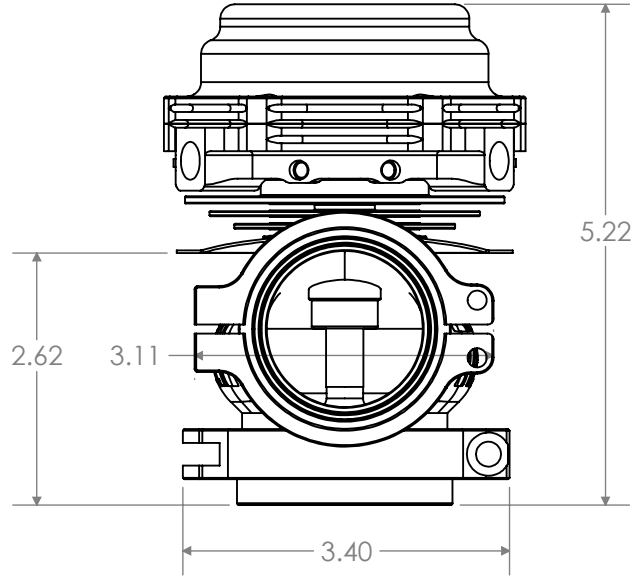
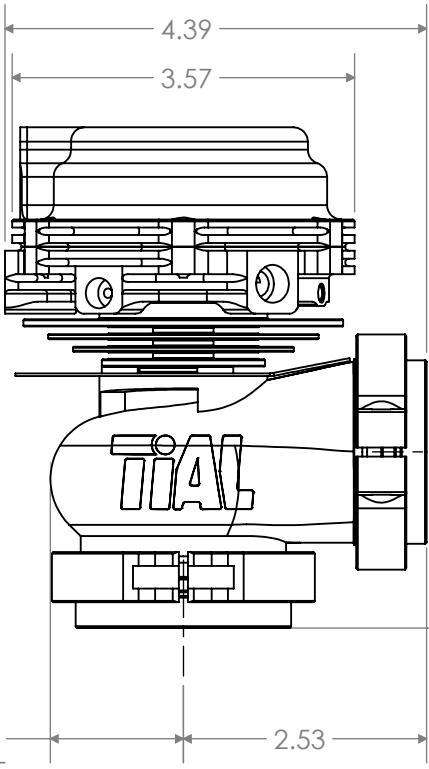
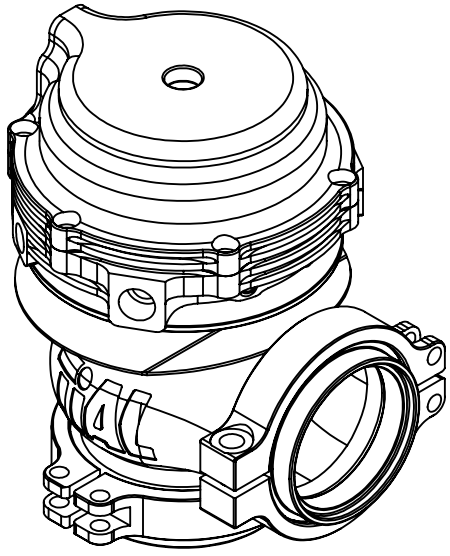
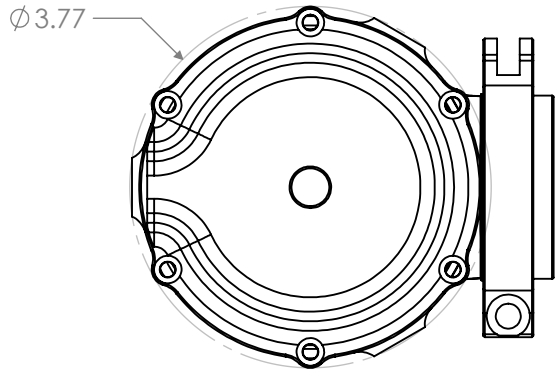


REV	DATE	RELEASED REVISION	DWN
A	1/12/17	RELEASED	EAS
-	-	-	-
-	-	-	-



1.38
BACK OF
CASTING REF

UNLESS OTHERWISE SPECIFIED:
DIMENSIONS ARE IN INCHES
ANGULAR DIMENSIONS ARE IN
DEGREES

DO NOT SCALE DRAWING



TITLE
MVR-A-R PUBLIC

SIZE A	PART NO.	REV A
------------------	----------	-----------------

PROPRIETARY AND CONFIDENTIAL
THE INFORMATION CONTAINED IN THIS DRAWING IS THE SOLE PROPERTY OF TIAL PRODUCTS.
ANY REPRODUCTION IN PART OR AS A WHOLE WITHOUT THE WRITTEN PERMISSION OF TIAL
PRODUCTS IS STRICTLY PROHIBITED.

MATERIAL	DRAWN: EAS	DATE: 1/12/17	CHECKED: (XX)	SHEET: 1 OF 1
----------	---------------	------------------	-------------------------	---------------