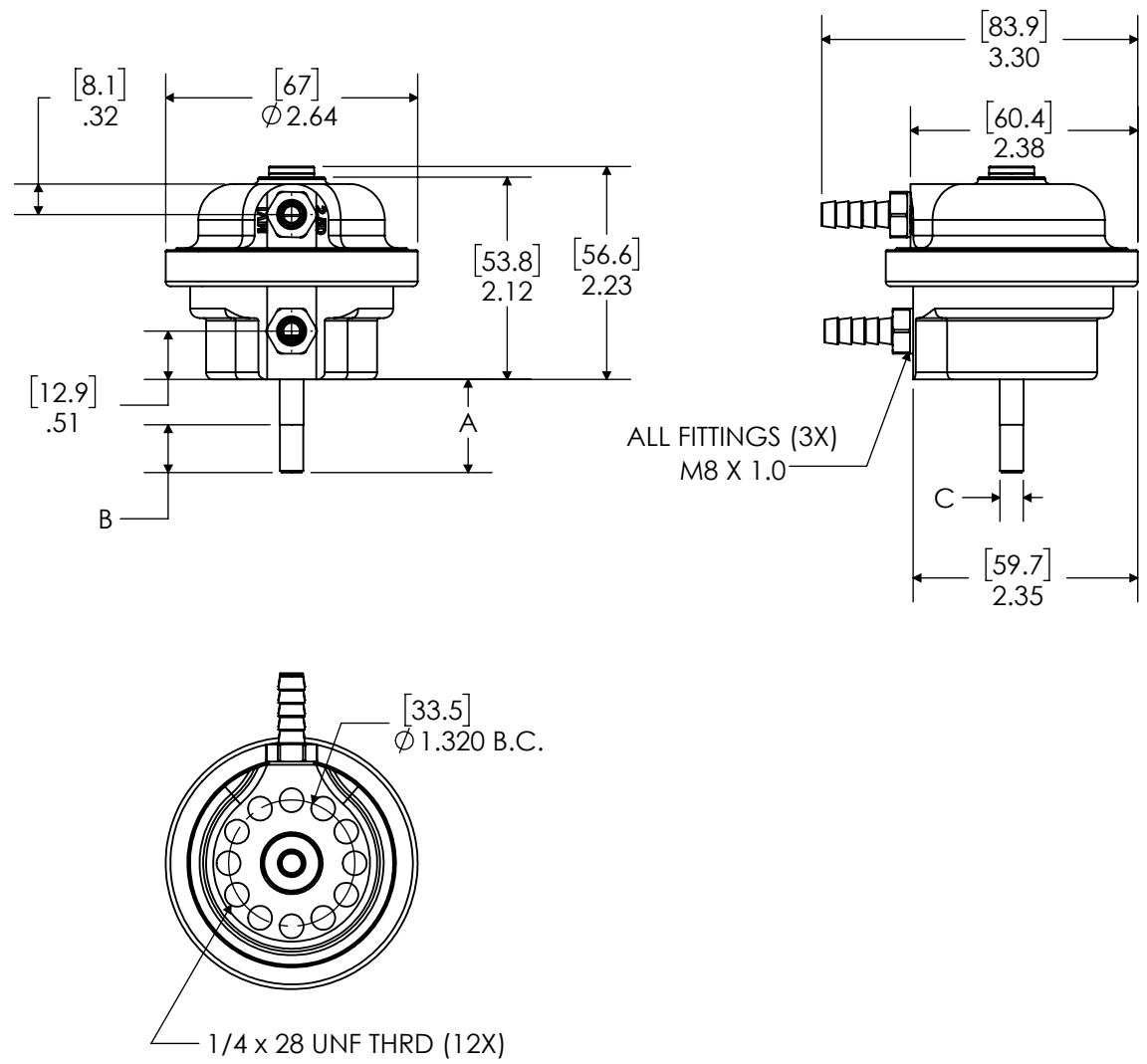


- NOTES:  
 1) ROD SHOWN AT MAXIMUM RETRACT  
 2) FULL STROKE IS 0.75"  
 3) ADD FULL STROKE TO EXPOSED ROD TO CALCULATE FULL EXTENSION  
 4) KEEP IN MIND EXTENDING MORE OF THE ROD CHANGES SPRING PACK PRELOAD

REVISIONS			
REV	DATE	DESCRIPTION	DWN
A	1/15/21	RELEASED	EAS
B	12/23/22	UPDATED SHEET FORMAT	ALM
-	-	-	-



ROD P/N	DIM A	DIM B	DIM C (THRD)	TOTAL ROD LENGTH
007604	[26.2] 1.03	[12.7] 0.50	1/4 - 28	[66.8] 2.63
002079	[54.6] 2.15	[32.0] 1.26	1/4 - 28	[95.3] 3.75
002080	[70.6] 2.78	[32.0] 1.26	1/4 - 28	[111.3] 4.38
005252	[69.3] 2.73	[20.3] 0.80	1/4 - 28	[110.0] 4.33
005988	[167.6] 6.60	[32.0] 1.26	1/4 - 28	[208.3] 8.20
005989	[182.1] 7.17	[32.0] 1.26	1/4 - 28	[222.8] 8.77
006574	[192.0] 7.56	[32.0] 1.26	1/4 - 28	[232.6] 9.16
006939	[89.2] 3.51	[59.9] 2.36	M6 x 1.0	[129.8] 5.11
006940	[125.0] 4.92	[59.9] 2.36	M6 x 1.0	[165.6] 6.52
006941	[144.3] 5.68	[59.9] 2.36	M6 x 1.0	[184.7] 7.27
006942	[162.3] 6.39	[59.9] 2.36	M6 x 1.0	[203.2] 8.00
007002	[144.5] 5.69	[38.1] 1.50	1/4 - 28	[185.2] 7.29
007438	[105.4] 4.15	[32.0] 1.26	1/4 - 28	[146.1] 5.75
007652	[219.7] 8.65	[32.0] 1.26	1/4 - 28	[260.4] 10.25

TIAL PRODUCTS  
 450 S. SHIAWASSEE,  
 OWOSSO, MI 48867

**TIALSPORT**

UNLESS OTHERWISE SPECIFIED:  
 ANGULAR DIMENSIONS ARE IN DEGREES  
 DO NOT SCALE DRAWING

PART DESCRIPTION  
 MVI 2.5D PUBLIC DRAWING

SIZE <b>A</b>	PART NO. <b>SEE CHART</b>	REV <b>B</b>
------------------	------------------------------	-----------------

PROJECT NUMBER: 2022-117

MATERIAL	DRAWN BY: ALM	DATE DRAWN: 12/23/22	CHECKED BY: AJE	DATE CHECKED: 12/23/22	SHEET: 1 OF 1
----------	------------------	-------------------------	--------------------	---------------------------	---------------

PROPRIETARY AND CONFIDENTIAL  
 THE INFORMATION CONTAINED IN THIS DRAWING IS THE SOLE PROPERTY OF TIAL PRODUCTS.  
 ANY REPRODUCTION IN PART OR AS A WHOLE WITHOUT THE WRITTEN PERMISSION OF TIAL  
 PRODUCTS IS STRICTLY PROHIBITED.

Last saved: 12/23/2022 11:05:57 AM by: amcmaster