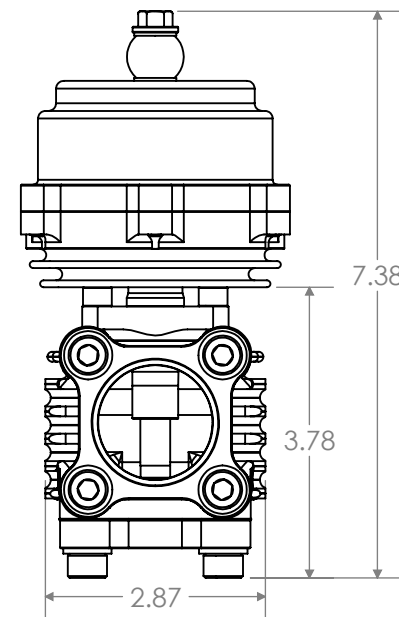
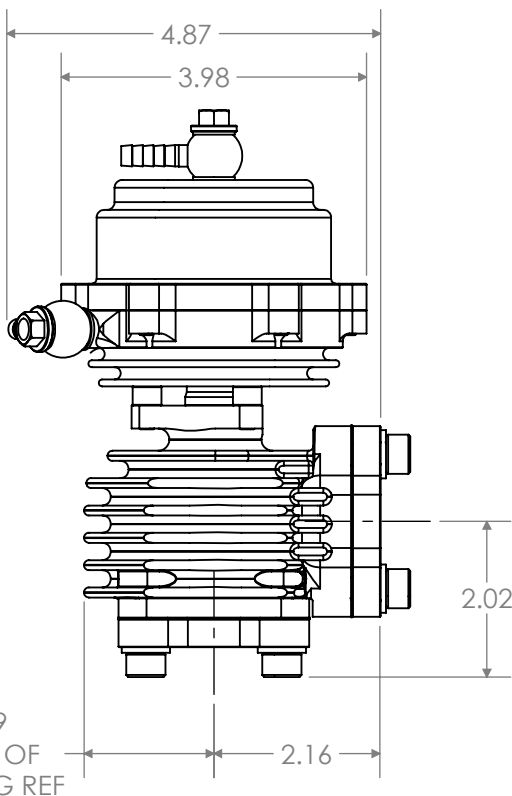
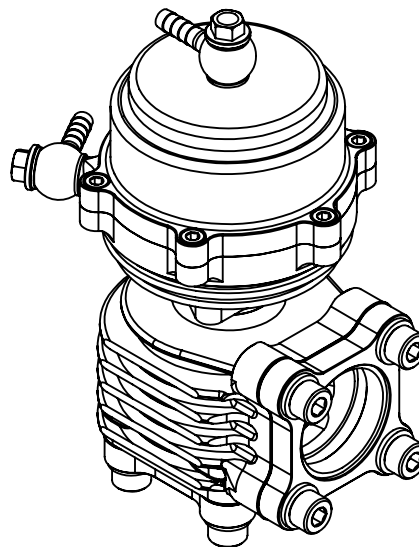
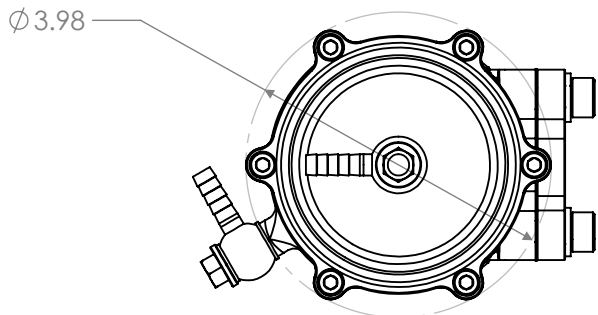
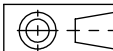


REVISIONS			
REV	DATE	DESCRIPTION	DWN
A	3/8/21	RELEASED	ALM
-	-	-	-
-	-	-	-



1.69
BACK OF
CASTING REF



TIAL PRODUCTS
450 S. SHIAWASSEE
OWOSSO, MI 48867



UNLESS OTHERWISE SPECIFIED:
DIMENSIONS ARE IN INCHES
ANGULAR DIMENSIONS ARE IN
DEGREES

DO NOT SCALE DRAWING

PART DESCRIPTION
F46P PUBLIC

OP#	TYPE
-----	------

SIZE A	PART NO.	REV A
------------------	----------	-----------------

PROJECT NUMBER:

PROPRIETARY AND CONFIDENTIAL
THE INFORMATION CONTAINED IN THIS DRAWING IS THE SOLE PROPERTY OF TIAL PRODUCTS.
ANY REPRODUCTION IN PART OR AS A WHOLE WITHOUT THE WRITTEN PERMISSION OF TIAL
PRODUCTS IS STRICTLY PROHIBITED.

MATERIAL	DRAWN BY: ALM	DATE DRAWN: 3/8/21	CHECKED BY:	DATE CHECKED:	SHEET: 1 OF 1
----------	------------------	-----------------------	-------------	---------------	---------------