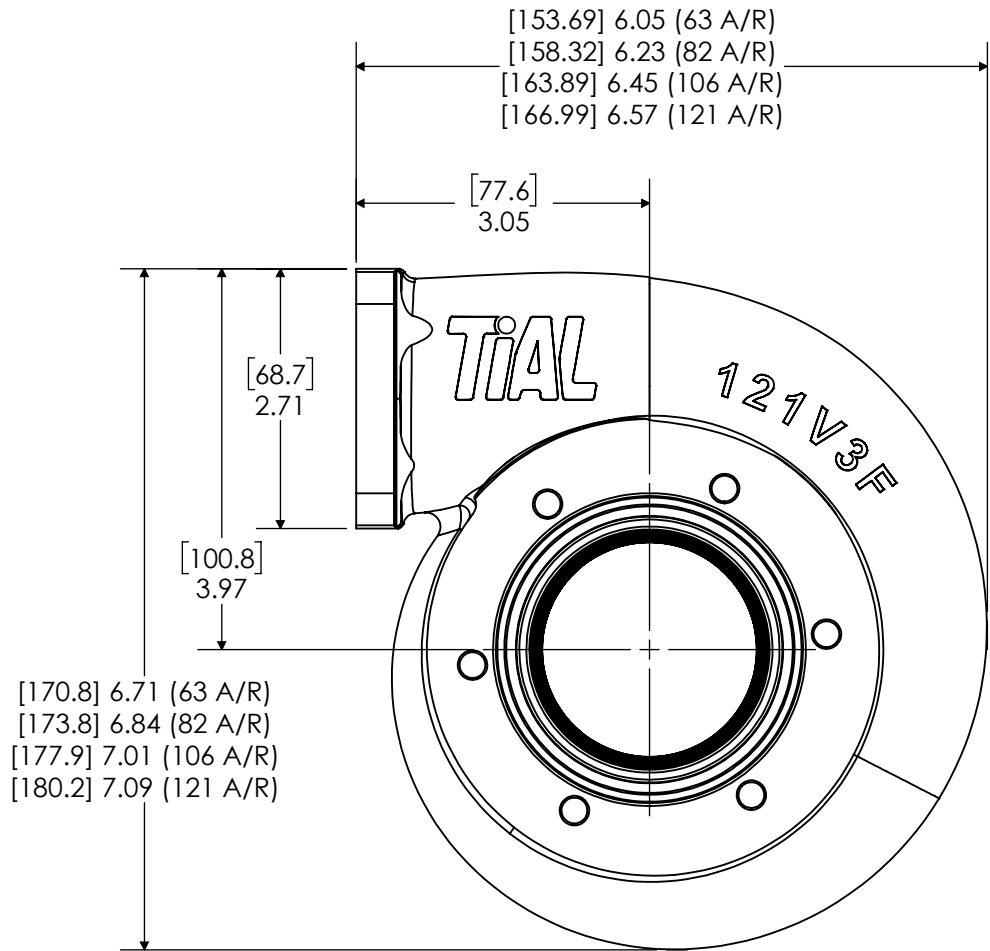
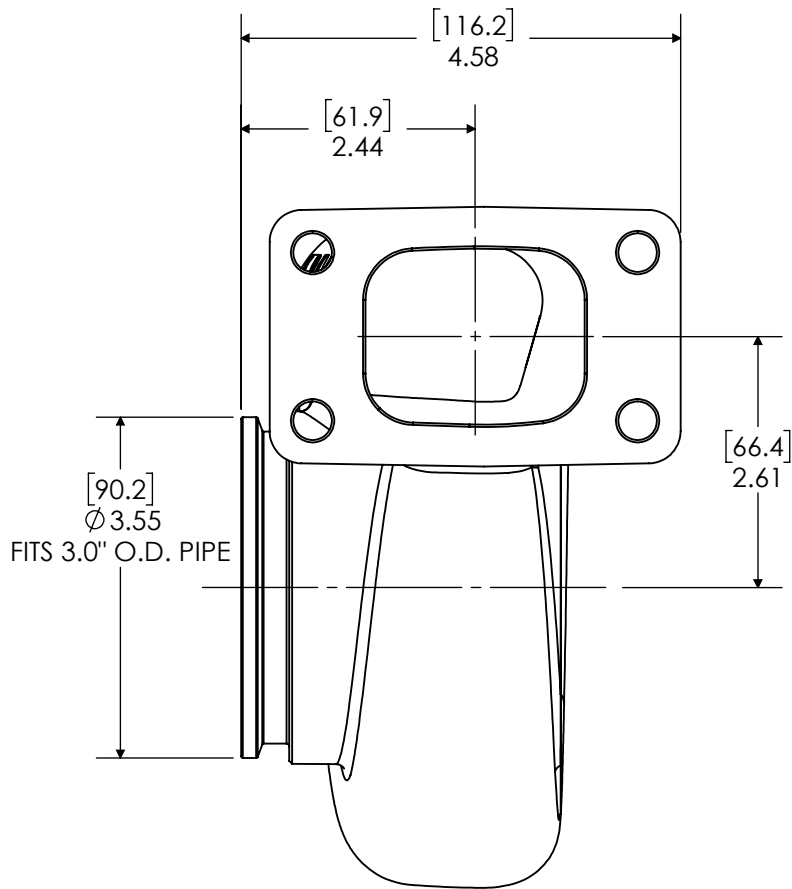


REVISIONS			
REV	DATE	DESCRIPTION	DWN
A	6/12/19	RELEASED	AJE
B	12/21/22	UPDATED SHEET FORMAT	ALM
-	-	-	-



A/R	GT30	GT35	GT37	XR56	XR64
63	006614	006620	006626	006617	006623
82	006615	006621	006627	006618	006624
106	006616	006622	006628	006619	006625
121	007179	007180	007181	007182	007183
A/R	XR67	XR68	XR57S	XR64S	XR69S
63	006629	006632	006905	006908	006911
82	006630	006633	006906	006909	006912
106	006631	006634	006907	006910	006913
121	007184	007185	007186	007187	007188

PROPRIETARY AND CONFIDENTIAL  
 THE INFORMATION CONTAINED IN THIS DRAWING IS THE SOLE PROPERTY OF TIAL PRODUCTS.  
 ANY REPRODUCTION IN PART OR AS A WHOLE WITHOUT THE WRITTEN PERMISSION OF TIAL  
 PRODUCTS IS STRICTLY PROHIBITED.

 UNLESS OTHERWISE SPECIFIED: ANGULAR DIMENSIONS ARE IN DEGREES DO NOT SCALE DRAWING	<b>TIAL PRODUCTS</b> 450 S. SHIAWASSEE, OWOSSO, MI 48867			
	PART DESCRIPTION F3V HOUSING GT30, 35, 37 XR56, 64, 67, 68, 57S, 64S, 69S			
MATERIAL <b>STAINLESS STEEL</b>	SIZE <b>A</b>	PART NO. <b>SEE CHART</b>	REV <b>B</b>	PROJECT NUMBER: 2022-047
	DRAWN BY: AJE	DATE DRAWN: 6/12/19	CHECKED BY: AJE	DATE CHECKED: 12/21/22

5

4

3

2

1

Last saved: 12/21/2022 4:45:12 PM by: amcmaster