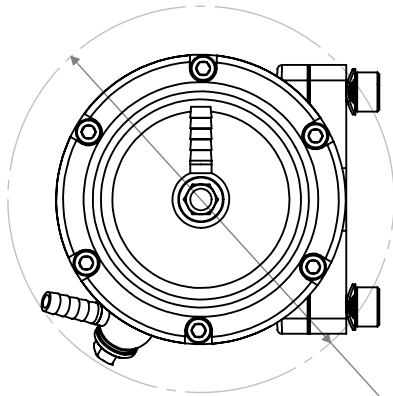
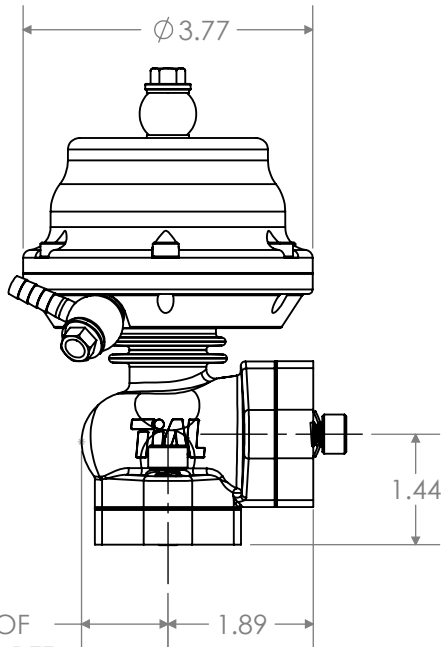
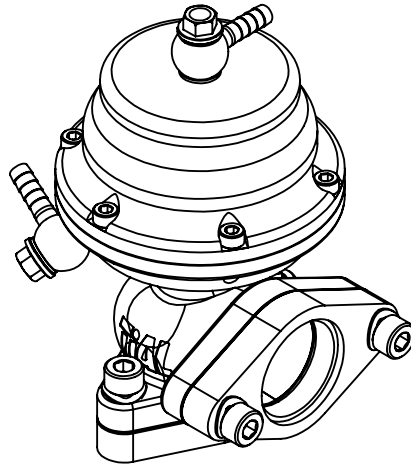


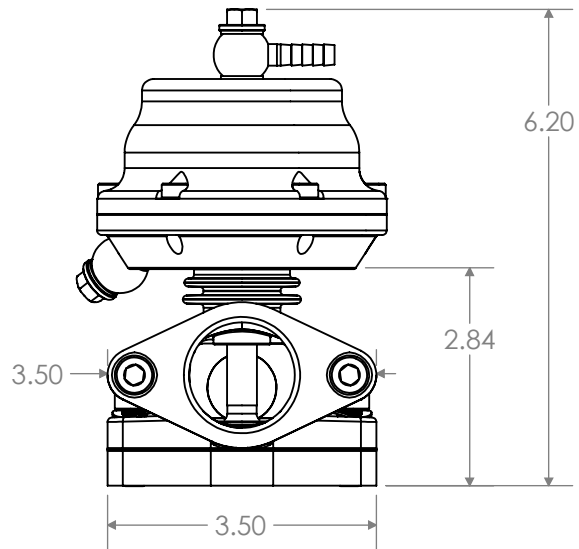
REVISIONS			
REV	DATE	DESCRIPTION	DWN
A	7/5/22	RELEASED	ALM
-	-	-	-
-	-	-	-



Ø 5.03
AIR FITTING
DIAMETER



1.12
BACK OF
CASTING REF






UNLESS OTHERWISE SPECIFIED:
 DIMENSIONS ARE IN INCHES
 ANGULAR DIMENSIONS ARE IN DEGREES

 DO NOT SCALE DRAWING

PART DESCRIPTION			
F38 PUBLIC			
OP#	TYPE		
SIZE	PART NO.	REV	
A		A	
PROJECT NUMBER:			

PROPRIETARY AND CONFIDENTIAL
 THE INFORMATION CONTAINED IN THIS DRAWING IS THE SOLE PROPERTY OF TIAL PRODUCTS.
 ANY REPRODUCTION IN PART OR AS A WHOLE WITHOUT THE WRITTEN PERMISSION OF TIAL
 PRODUCTS IS STRICTLY PROHIBITED.

MATERIAL	DRAWN BY:	DATE DRAWN:	CHECKED BY:	DATE CHECKED:	SHEET: 1 OF 1
	ALM	7/5/22	XXX	2/26/19	