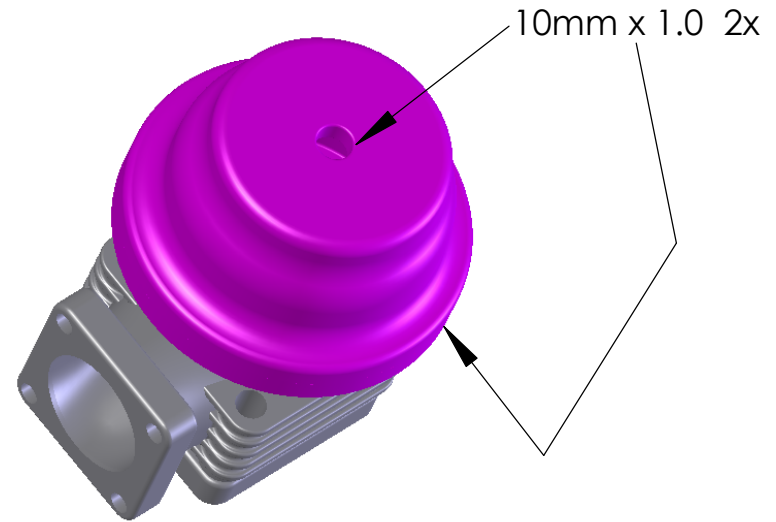
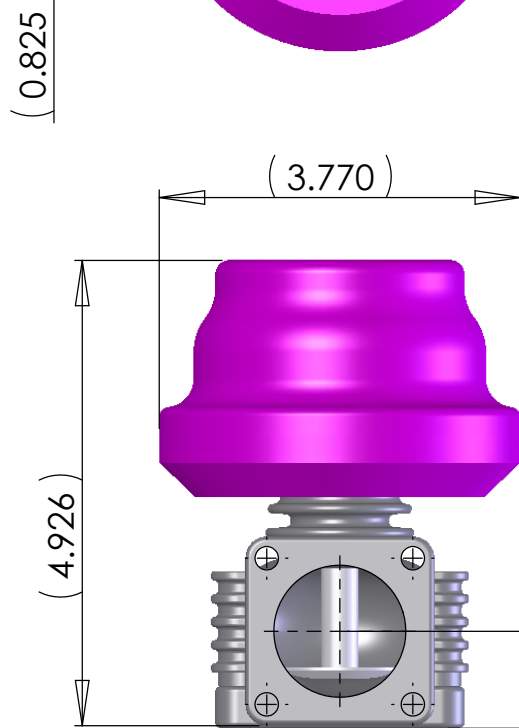
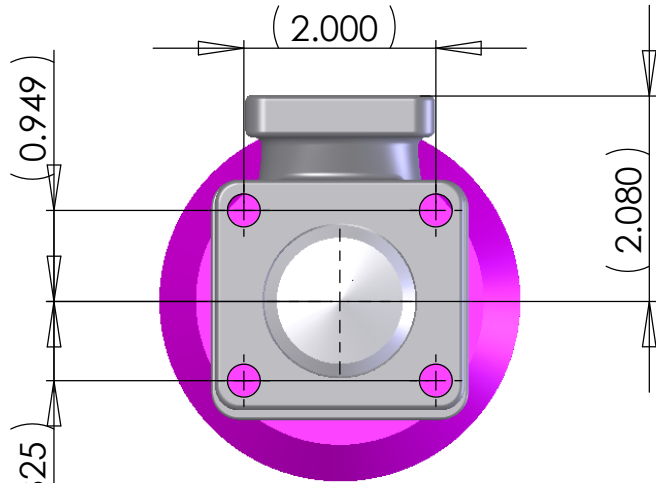


REVISIONS		DATE	APPROVED
ZONE	REV.	DESCRIPTION	



**PROPRIETARY AND CONFIDENTIAL**  
 THE INFORMATION CONTAINED IN THIS DRAWING IS THE SOLE PROPERTY OF TiAL Products. ANY REPRODUCTION IN PART OR AS A WHOLE WITHOUT THE WRITTEN PERMISSION OF TiAL Products IS PROHIBITED.

DIMENSIONS ARE IN INCHES TOLERANCES: FRACTIONAL ± ANGULAR: MACH ± BEND ± TWO PLACE DECIMAL ± THREE PLACE DECIMAL ±		NAME	DATE	TiAL Products			
NEXT ASSY	USED ON	DRAWN	CHECKED			WG 40 mm	
MATERIAL --		ENG APPR.	MFG APPR.	SIZE	DWG. NO.		REV.
FINISH --		Q.A.	COMMENTS:	<b>A</b>			
APPLICATION		DO NOT SCALE DRAWING		SCALE:1:2	WEIGHT:		SHEET 1 OF 1