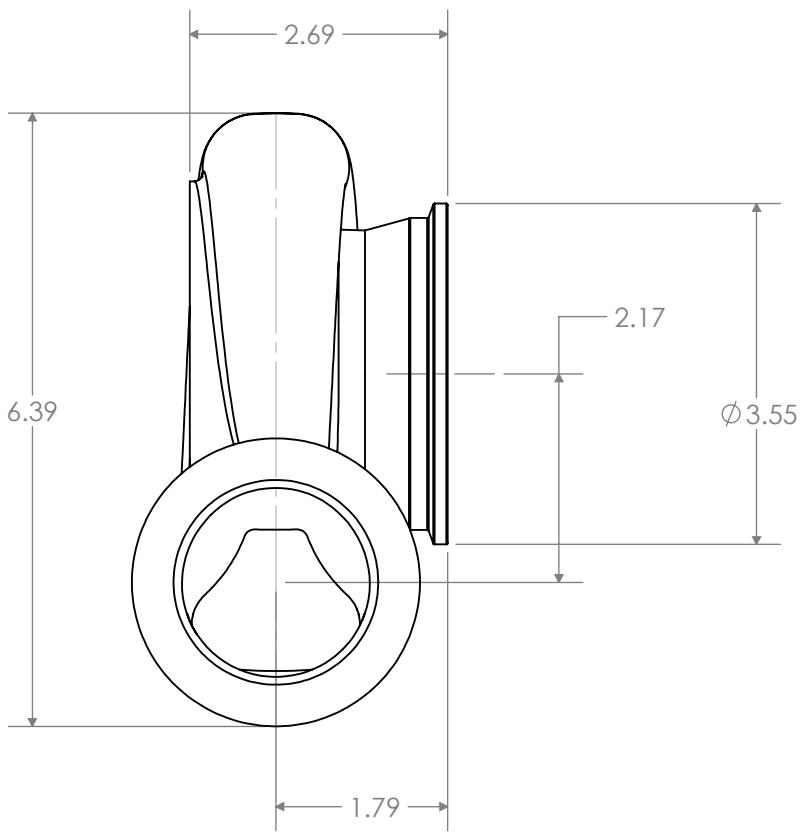
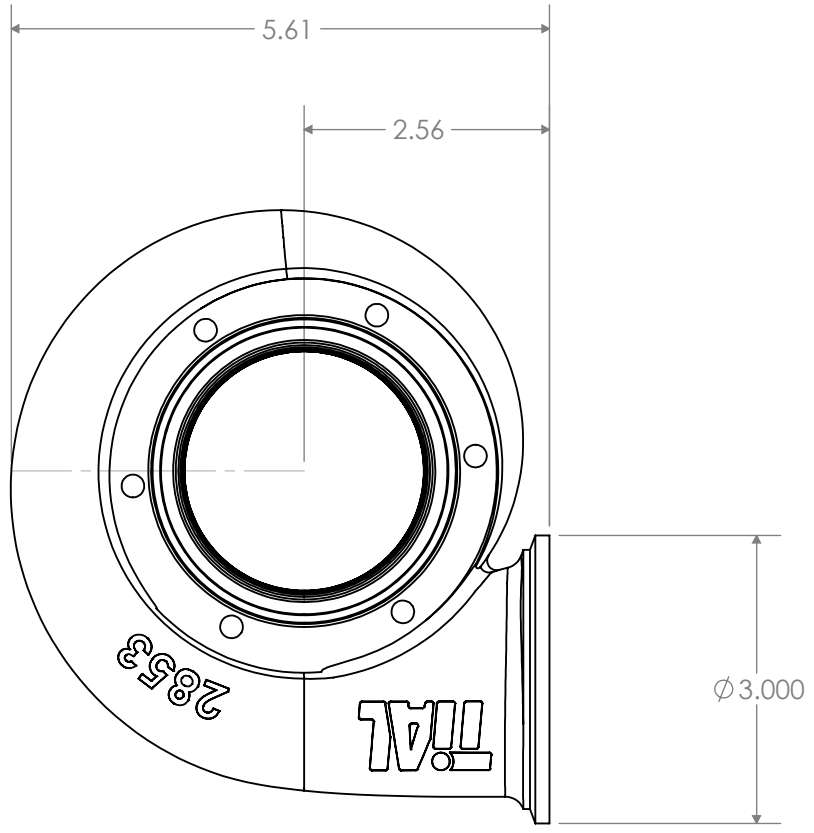


REV	DATE	RELEASED REVISION	DWN
A	2/7/13	RELEASED	ES
-	-	-	-
-	-	-	-



PROPRIETARY AND CONFIDENTIAL  
THE INFORMATION CONTAINED IN THIS DRAWING IS THE SOLE PROPERTY OF TIAL PRODUCTS.  
ANY REPRODUCTION IN PART OR AS A WHOLE WITHOUT THE WRITTEN PERMISSION OF TIAL  
PRODUCTS IS STRICTLY PROHIBITED.

MATERIAL



TITLE			
TIAL VB35 .82A/R			
SIZE	PART NO.	REV	
A	002464	A	
DRAWN:	DATE:	CHECKED:	SHEET: 1 OF 1
ES	2/7/2013		