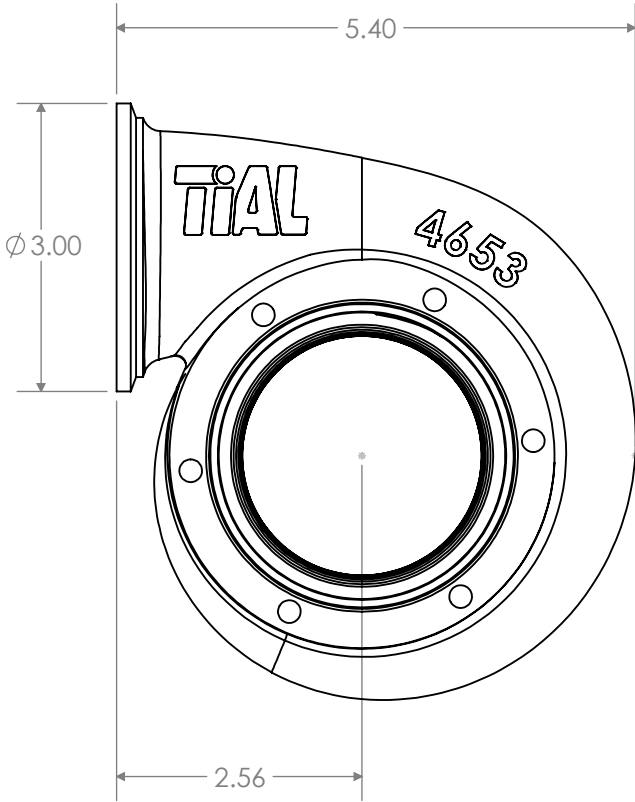
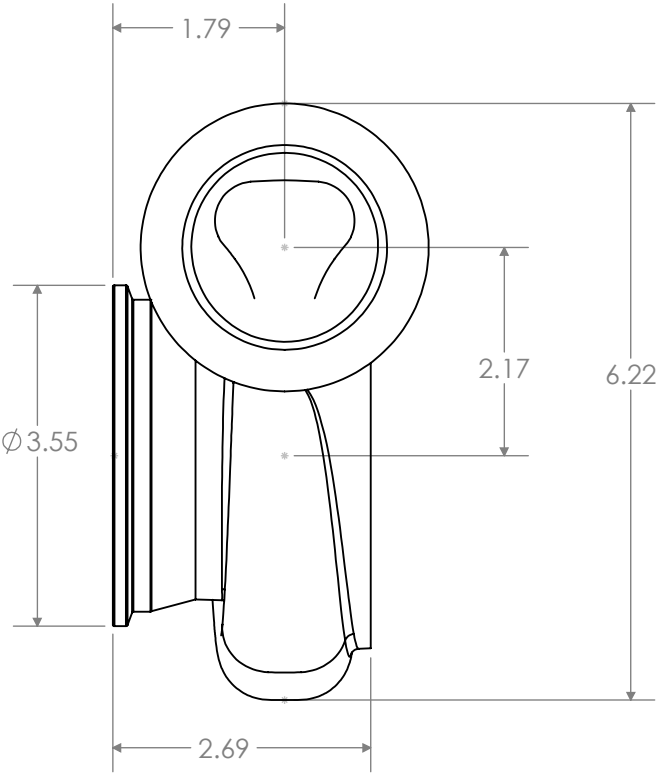


REV		DATE	RELEASED	DWN
A		8/15/13	RELEASED	(XX)
-		-	-	-
-		-	-	-



PROPRIETARY AND CONFIDENTIAL
 THE INFORMATION CONTAINED IN THIS DRAWING IS THE SOLE PROPERTY OF TIAL PRODUCTS.
 ANY REPRODUCTION IN PART OR AS A WHOLE WITHOUT THE WRITTEN PERMISSION OF TIAL
 PRODUCTS IS STRICTLY PROHIBITED.

MATERIAL



TIAL PRODUCTS, 450 S. SHIAWASSEE, OWOSSO, MI 48867

TITLE		
TIAL VB35 .64A/R		
SIZE	PART NO.	REV
A	002463	A
DRAWN:	DATE:	CHECKED:
JG	8/15/2013	
SHEET: 1 OF 1		

5

4

3

2

1

Last saved: 8/15/2013 10:13:07 AM by: erics