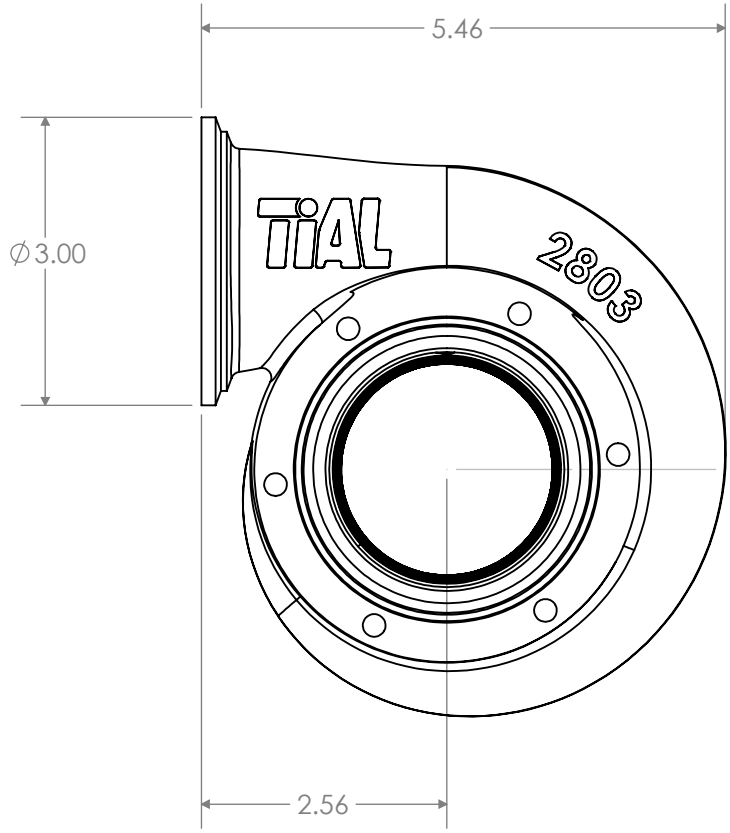
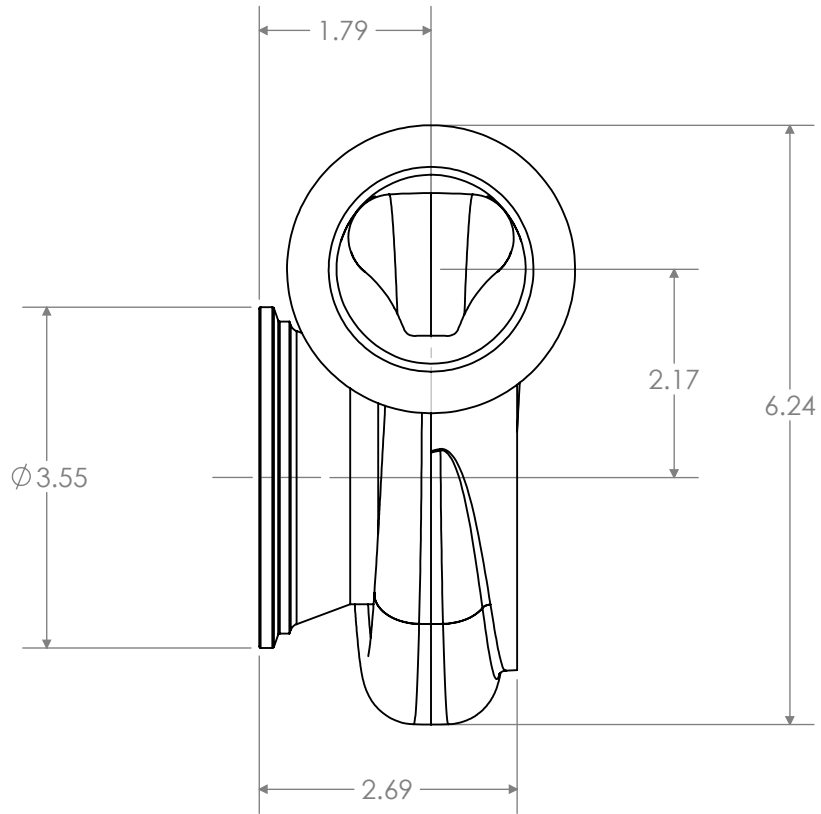


		RELEASED	
REV	DATE	REVISION	DWN
A	1/25/13	RELEASED	ES
-	-	-	-
-	-	-	-



PROPRIETARY AND CONFIDENTIAL  
 THE INFORMATION CONTAINED IN THIS DRAWING IS THE SOLE PROPERTY OF TIAL PRODUCTS.  
 ANY REPRODUCTION IN PART OR AS A WHOLE WITHOUT THE WRITTEN PERMISSION OF TIAL  
 PRODUCTS IS STRICTLY PROHIBITED.

MATERIAL



TIAL PRODUCTS, 450 S. SHIAWASSEE, OWOSSO, MI 48867

TITLE			
TIAL VB30 .82A/R			
SIZE	PART NO.		REV
A	002460		A
DRAWN:	DATE:	CHECKED:	SHEET: 1 OF 1
ES	1/25/2013		