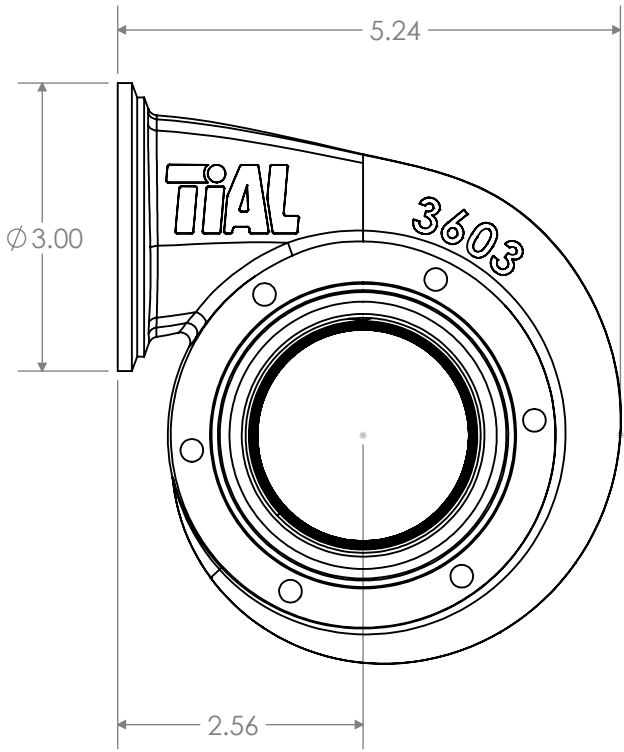
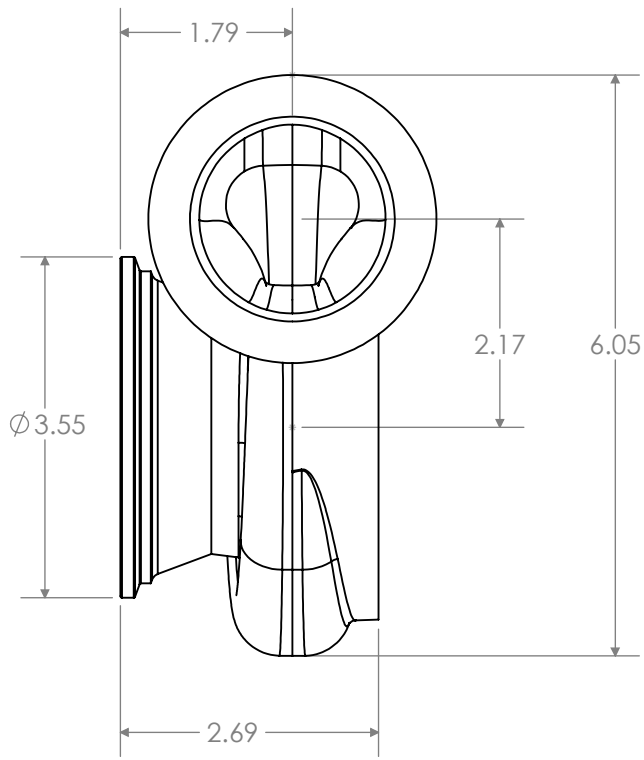


REV		DATE	RELEASED	DWN
A		8/15/13	RELEASED	(XX)
-		-	-	-
-		-	-	-



PROPRIETARY AND CONFIDENTIAL  
 THE INFORMATION CONTAINED IN THIS DRAWING IS THE SOLE PROPERTY OF TIAL PRODUCTS.  
 ANY REPRODUCTION IN PART OR AS A WHOLE WITHOUT THE WRITTEN PERMISSION OF TIAL  
 PRODUCTS IS STRICTLY PROHIBITED.

MATERIAL



TITLE			
TIAL VB30 .63A/R			
SIZE	PART NO.		REV
A	002459		A
DRAWN:	DATE:	CHECKED:	SHEET: 1 OF 1
JG	8/15/2013		

5 4 3 2 1

Last saved: 8/15/2013 10:10:07 AM by: erics