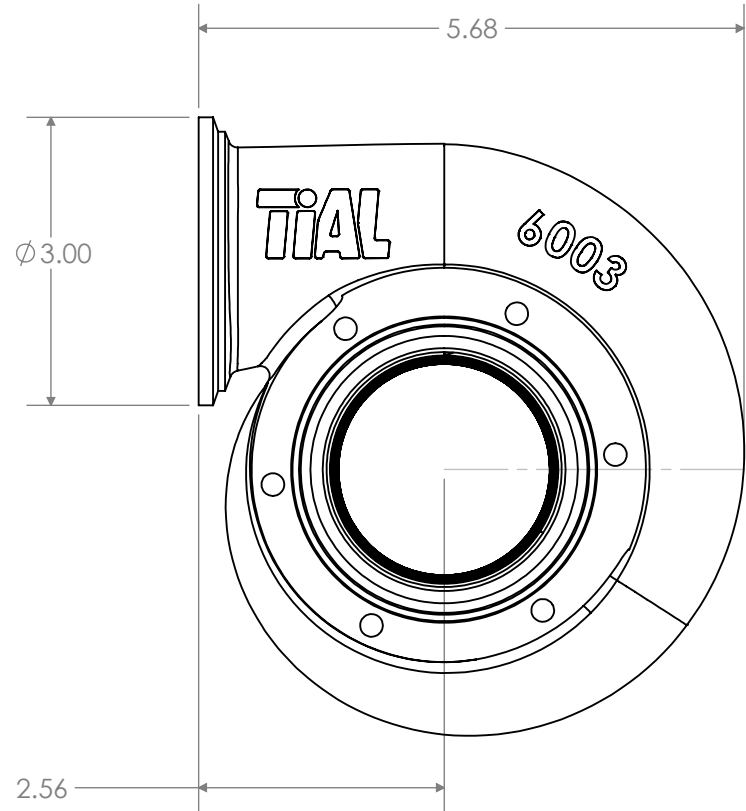
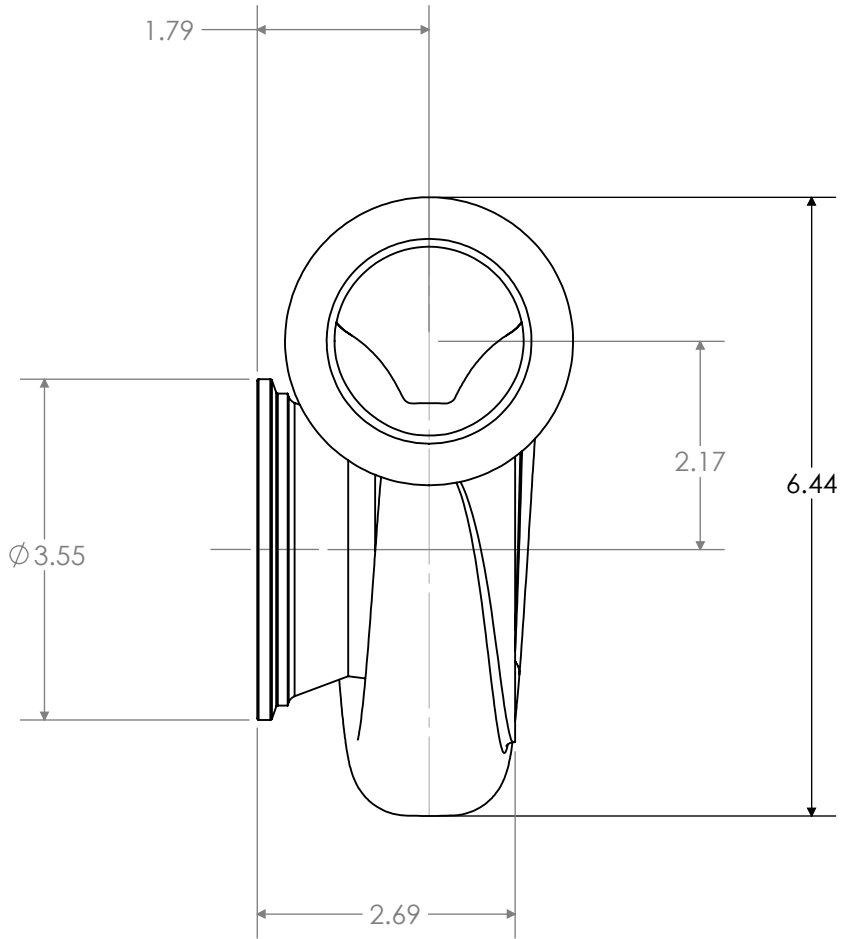


REV	DATE	RELEASED REVISION	DWN
A	1/25/13	RELEASED	ES
-	-	-	-
-	-	-	-



PROPRIETARY AND CONFIDENTIAL
 THE INFORMATION CONTAINED IN THIS DRAWING IS THE SOLE PROPERTY OF TIAL PRODUCTS.
 ANY REPRODUCTION IN PART OR AS A WHOLE WITHOUT THE WRITTEN PERMISSION OF TIAL
 PRODUCTS IS STRICTLY PROHIBITED.

MATERIAL

TIAL SPORT
 TIAL PRODUCTS, 450 S. SHIAWASSEE, OWOSSO, MI 48867

TITLE
TIAL VB30 1.06A/R

SIZE A	PART NO. 002458	REV A
DRAWN: ES	DATE: 1/25/2013	CHECKED: SHEET: 1 OF 1