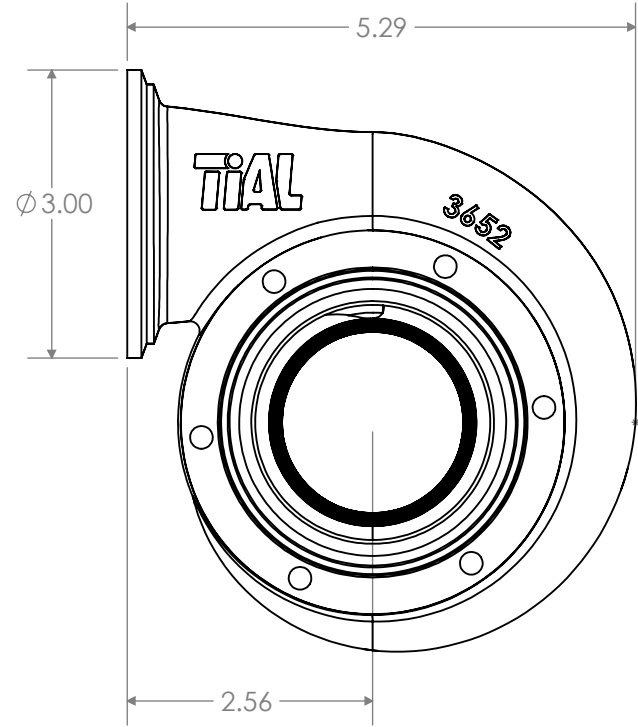
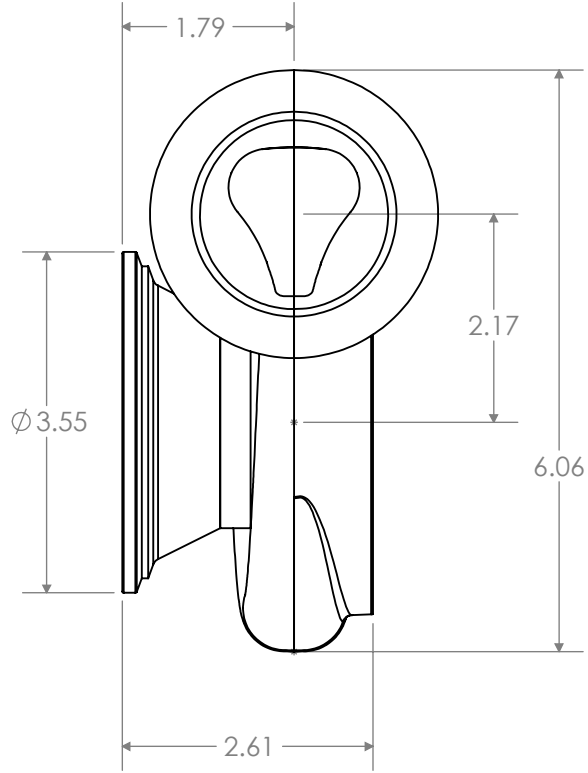


		RELEASED	
REV	DATE	REVISION	DWN
A	5/20/13	RELEASED	(XX)
-	-	-	-
-	-	-	-



PROPRIETARY AND CONFIDENTIAL
 THE INFORMATION CONTAINED IN THIS DRAWING IS THE SOLE PROPERTY OF TIAL PRODUCTS.
 ANY REPRODUCTION IN PART OR AS A WHOLE WITHOUT THE WRITTEN PERMISSION OF TIAL
 PRODUCTS IS STRICTLY PROHIBITED.

MATERIAL



TIAL PRODUCTS, 450 S. SHIAWASSEE, OWOSSO, MI 48867

TITLE			
TIAL VB28 .63A/R			
SIZE	PART NO.	REV	
A	002456	A	
DRAWN:	DATE:	CHECKED:	SHEET: 1 OF 1
CW	5/20/2013		

5

4

3

2

1

Last saved: 8/15/2013 10:09:24 AM by: erics