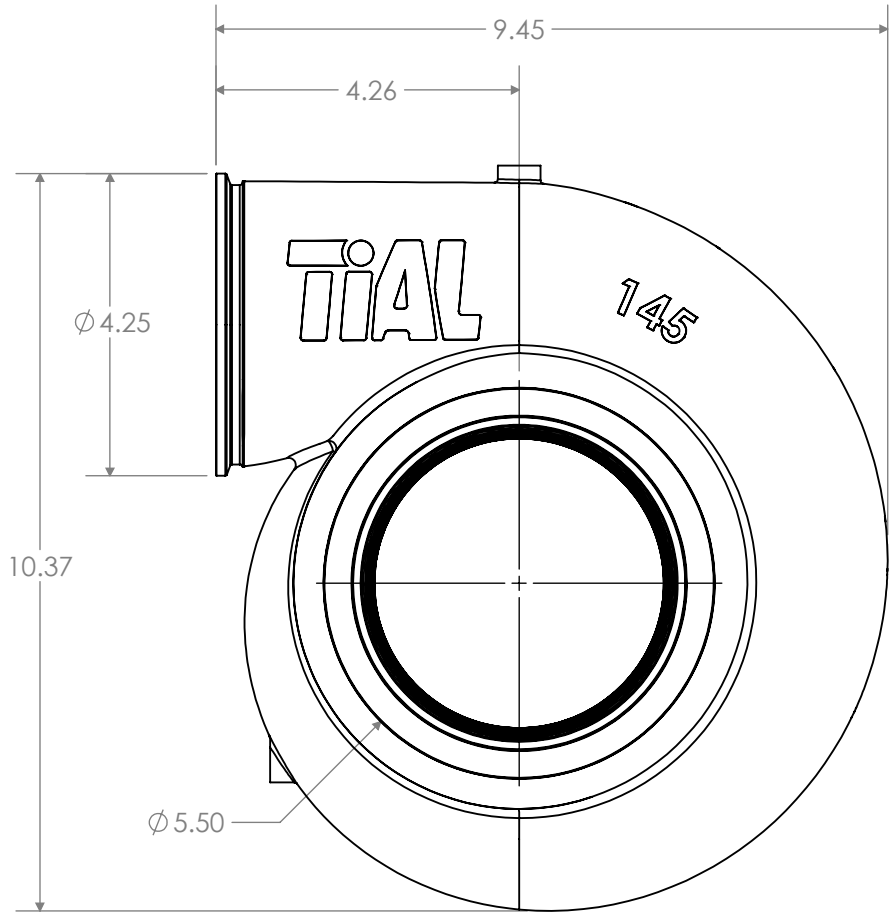
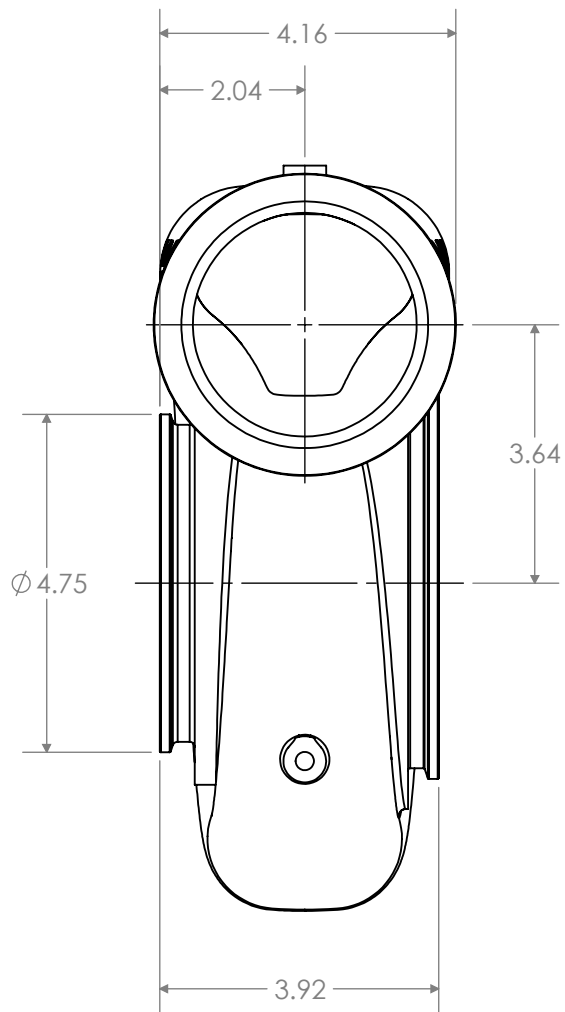


| REVISIONS |         |             |     |
|-----------|---------|-------------|-----|
| REV       | DATE    | DESCRIPTION | DWN |
| A         | 4/16/18 | RELEASED    | AJE |
| -         | -       | -           | -   |
| -         | -       | -           | -   |



|   |  |  |                           |
|---|--|--|---------------------------|
|   |  | <b>TIAL SPORT</b>  |                           |
| <small>TIAL PRODUCTS<br/>450 S. SHIAWASSEE<br/>OWOSSO, MI 48867</small>   |  | <b>PART DESCRIPTION</b><br><b>TIALVB GT55 145AR PUBLIC</b> |                           |
| <small>UNLESS OTHERWISE SPECIFIED:<br/>DIMENSIONS ARE IN INCHES<br/>ANGULAR DIMENSIONS ARE IN DEGREES</small>   |  | OP#  | TYPE                      |
| <small>DO NOT SCALE DRAWING</small>   |  | SIZE<br><b>A</b>   | PART NO.<br><b>A</b>      |
| <small>PROPRIETARY AND CONFIDENTIAL<br/>THE INFORMATION CONTAINED IN THIS DRAWING IS THE SOLE PROPERTY OF TIAL PRODUCTS.<br/>ANY REPRODUCTION IN PART OR AS A WHOLE WITHOUT THE WRITTEN PERMISSION OF TIAL<br/>PRODUCTS IS STRICTLY PROHIBITED.</small> |  | DRAWN BY:<br>AJE   | DATE DRAWN:<br>4/16/18    |
| <small>MATERIAL</small>   |  | CHECKED BY:<br>XXX   | DATE CHECKED:<br>12/17/15 |
|   |  | SHEET: 1 OF 1  |                           |