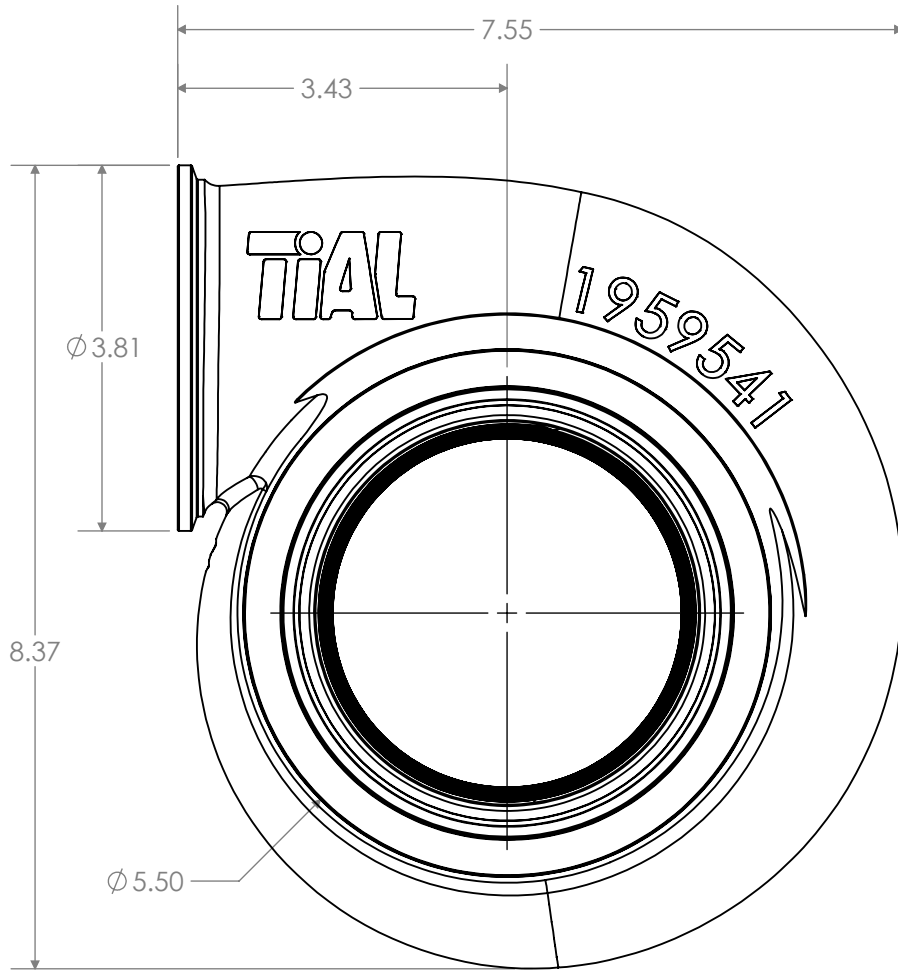
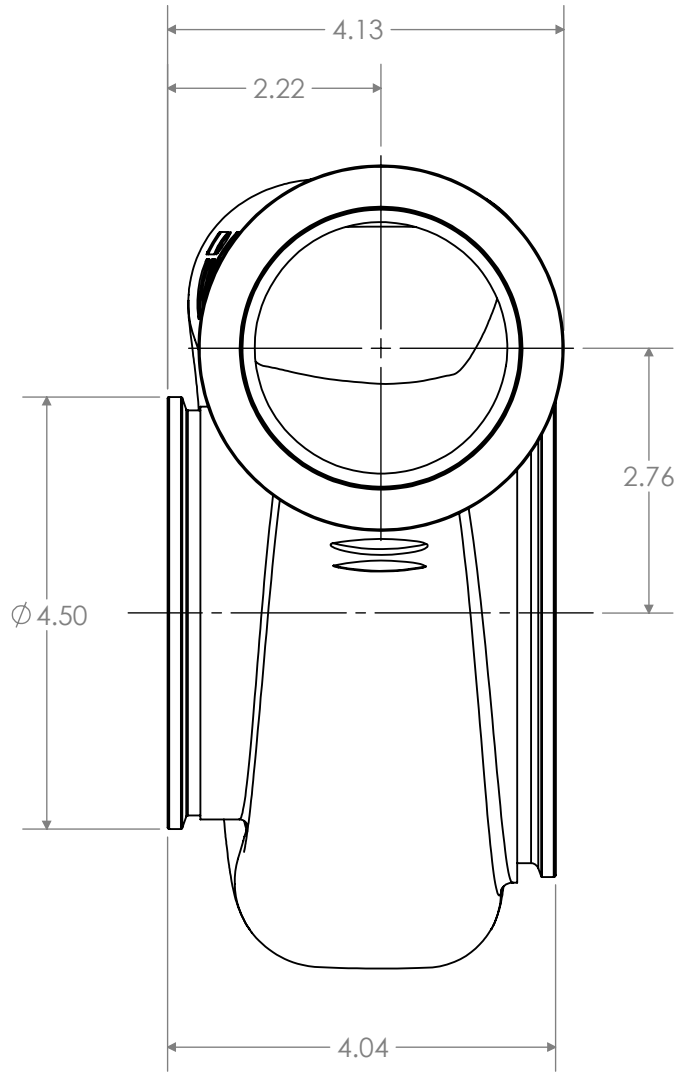
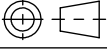



REVISIONS			
REV	DATE	DESCRIPTION	DWN
A	4/18/18	RELEASED	AJE
-	-	-	-
-	-	-	-



		TIAL PRODUCTS 450 S. SHIAWASSEE OWOSSO, MI 48867			
<b>UNLESS OTHERWISE SPECIFIED:</b> DIMENSIONS ARE IN INCHES ANGULAR DIMENSIONS ARE IN DEGREES				<b>PART DESCRIPTION</b> TIALVB GT/GTX 50 145AR PUBLIC	
DO NOT SCALE DRAWING				OP#	TYPE
SIZE <b>A</b>	PART NO.			REV <b>A</b>	
MATERIAL	DRAWN BY: AJE	DATE DRAWN: 4/18/18	CHECKED BY: XXX	DATE CHECKED: 12/17/15	SHEET: 1 OF 1

**PROPRIETARY AND CONFIDENTIAL**  
 THE INFORMATION CONTAINED IN THIS DRAWING IS THE SOLE PROPERTY OF TIAL PRODUCTS. ANY REPRODUCTION IN PART OR AS A WHOLE WITHOUT THE WRITTEN PERMISSION OF TIAL PRODUCTS IS STRICTLY PROHIBITED.