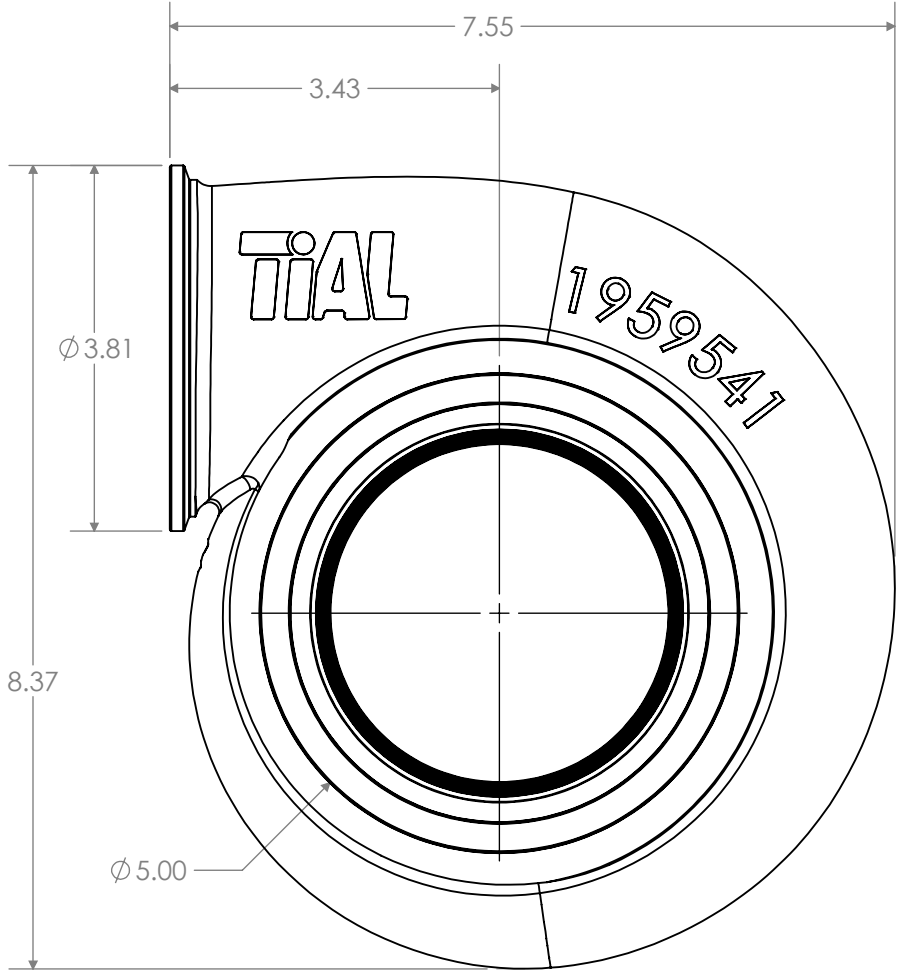
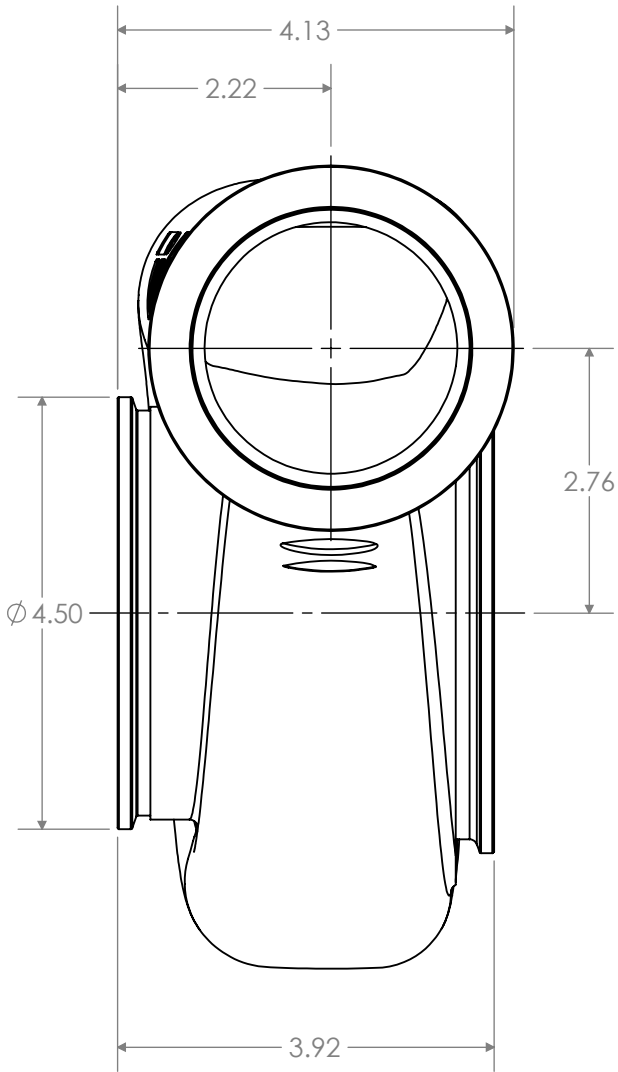
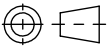




REVISIONS			
REV	DATE	DESCRIPTION	DWN
A	6/28/18	RELEASED	AJE
-	-	-	-
-	-	-	-



		TIAL PRODUCTS 450 S. SHIAWASSEE OWOSSO, MI 48867					
UNLESS OTHERWISE SPECIFIED: DIMENSIONS ARE IN INCHES ANGULAR DIMENSIONS ARE IN DEGREES				PART DESCRIPTION TIALVB BWS400 145AR 95MM PUBLIC			
DO NOT SCALE DRAWING				OP#		TYPE	
SIZE A		PART NO.			REV A		
MATERIAL		DRAWN BY: AJE	DATE DRAWN: 6/28/18	CHECKED BY: XXX	DATE CHECKED: 12/17/15	SHEET: 1 OF 1	

PROPRIETARY AND CONFIDENTIAL
 THE INFORMATION CONTAINED IN THIS DRAWING IS THE SOLE PROPERTY OF TIAL PRODUCTS. ANY REPRODUCTION IN PART OR AS A WHOLE WITHOUT THE WRITTEN PERMISSION OF TIAL PRODUCTS IS STRICTLY PROHIBITED.