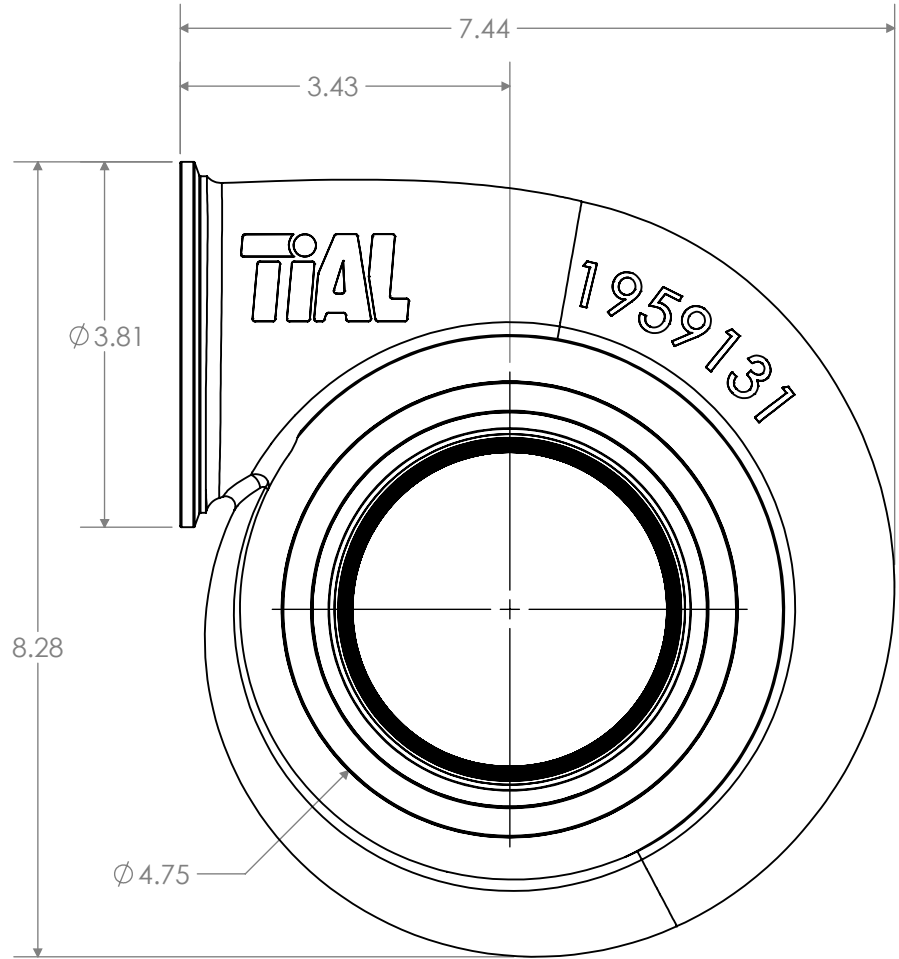
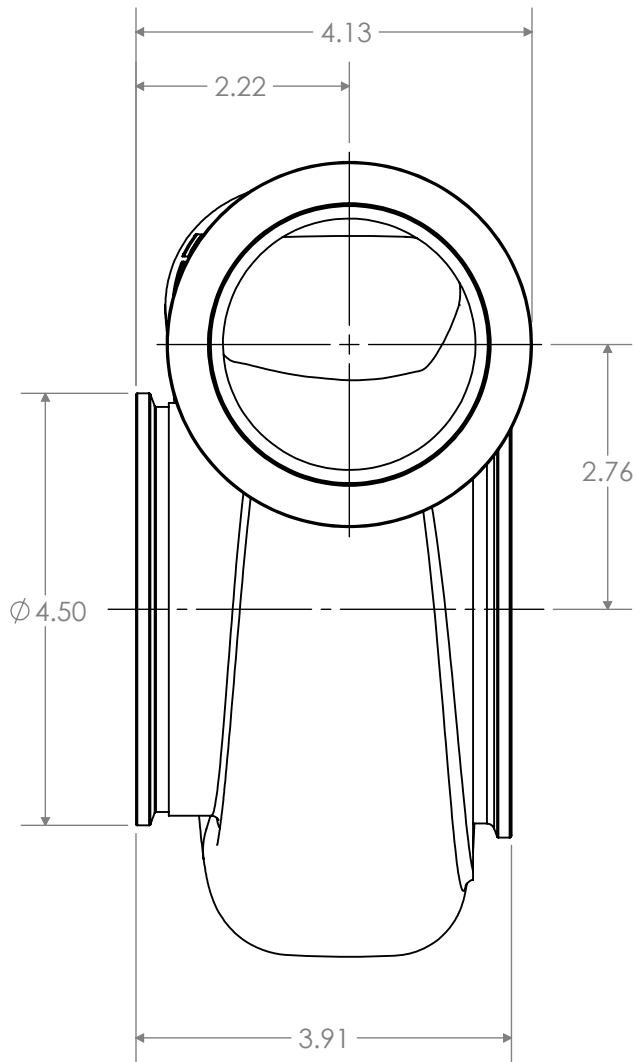
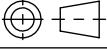



REVISIONS			
REV	DATE	DESCRIPTION	DWN
A	6/27/18	RELEASED	AJE
-	-	-	-
-	-	-	-



 <small>TIAL PRODUCTS 450 S. SHIAWASSEE OWOSSO, MI 48867</small>			
	PART DESCRIPTION TIALVB BWS400 131AR 91MM PUBLIC		
UNLESS OTHERWISE SPECIFIED: DIMENSIONS ARE IN INCHES ANGULAR DIMENSIONS ARE IN DEGREES DO NOT SCALE DRAWING	OP#	TYPE	
	SIZE A	PART NO.	REV A
MATERIAL	DRAWN BY: AJE	DATE DRAWN: 6/27/18	CHECKED BY: XXX
		DATE CHECKED: 12/17/15	SHEET: 1 OF 1

PROPRIETARY AND CONFIDENTIAL
THE INFORMATION CONTAINED IN THIS DRAWING IS THE SOLE PROPERTY OF TIAL PRODUCTS.
ANY REPRODUCTION IN PART OR AS A WHOLE WITHOUT THE WRITTEN PERMISSION OF TIAL
PRODUCTS IS STRICTLY PROHIBITED.