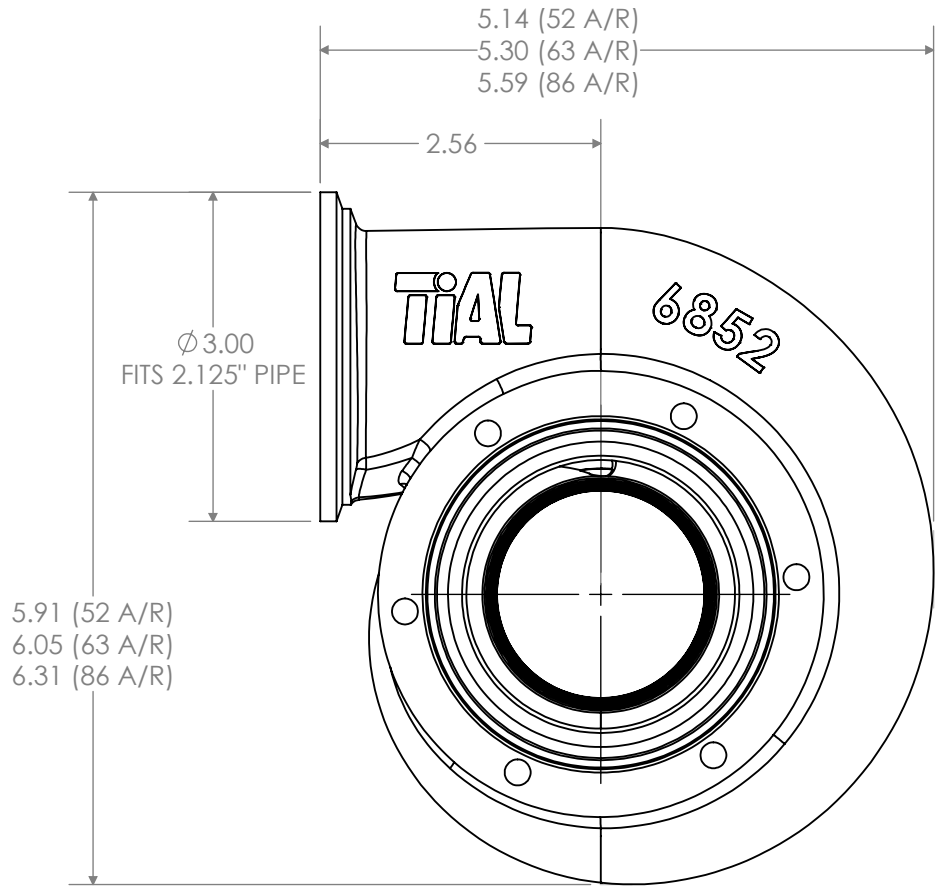
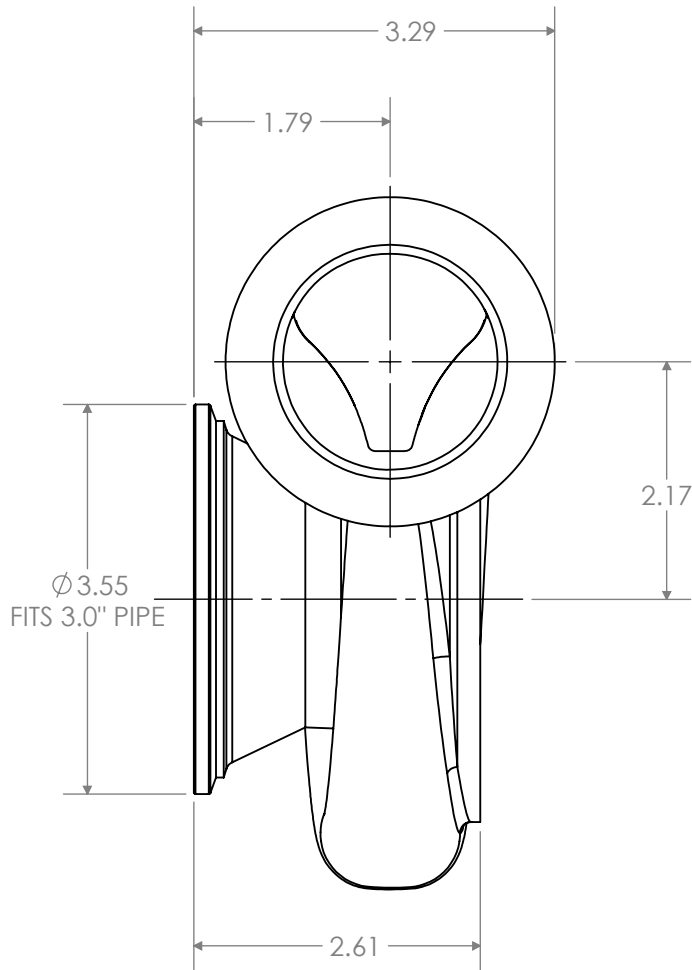
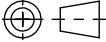




REVISIONS			
REV	DATE	DESCRIPTION	DWN
A	10/1/18	RELEASED	JAB
-	-	-	-
-	-	-	-



A/R	CONTOUR	PART NUMBER
52	GT28	004097
	XR48	005421
63	GT28	002456
	XR48	005412
86	GT28	002457
	XR48	005413

PROPRIETARY AND CONFIDENTIAL
 THE INFORMATION CONTAINED IN THIS DRAWING IS THE SOLE PROPERTY OF TIAL PRODUCTS.
 ANY REPRODUCTION IN PART OR AS A WHOLE WITHOUT THE WRITTEN PERMISSION OF TIAL
 PRODUCTS IS STRICTLY PROHIBITED.

		TIAL PRODUCTS 450 S. SHIAWASSEE OWOSSO, MI 48867					
UNLESS OTHERWISE SPECIFIED: DIMENSIONS ARE IN INCHES ANGULAR DIMENSIONS ARE IN DEGREES				PART DESCRIPTION TIAL VB 28 XONA XR 48			
DO NOT SCALE DRAWING							
SIZE		PART NO.		REV			
A		SEE CHART		A			
DRAWN BY:		DATE DRAWN:		CHECKED BY:		DATE CHECKED:	
-		-		-		-	
MATERIAL				SHEET: 1 OF 1			
STAINLESS STEEL							

5

4

3

2

1