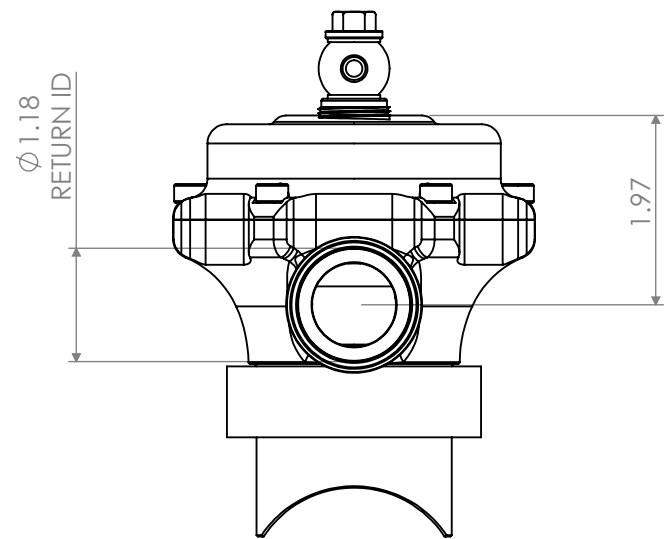
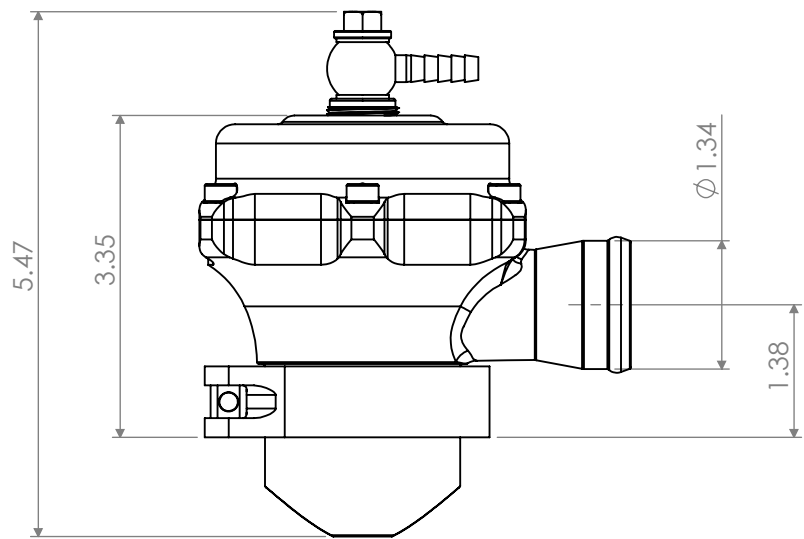
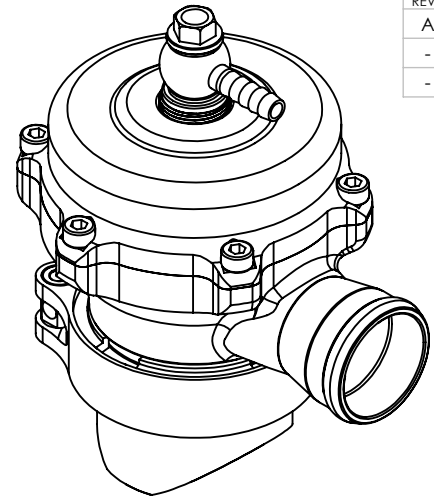
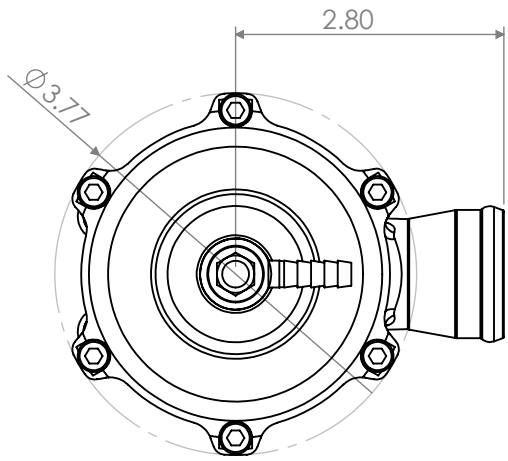


		RELEASED	
REV	DATE	REVISION	DWN
A	8-3-11	RELEASED	ES
-	-	-	-
-	-	-	-



UNLESS OTHERWISE SPECIFIED:
 DIMENSIONS ARE IN INCHES
 ANGULAR DIMENSIONS ARE IN DEGREES

TOLERANCES:
 .XX ± .1
 .XXX ± .005
 .XXXX ± .0002
 ANGULAR: ± .5 DEG
 EDGE/CORNER BREAKS .015
 FILLET RADII .015
 MAX SURFACE ROUGHNESS 125 Ra

DO NOT SCALE DRAWING



TITLE
**QR W/ 1.5 TUBE
 ADAPTER ASSEMBLY**

PROPRIETARY AND CONFIDENTIAL
 THE INFORMATION CONTAINED IN THIS DRAWING IS THE SOLE PROPERTY OF TIAL PRODUCTS.
 ANY REPRODUCTION IN PART OR AS A WHOLE WITHOUT THE WRITTEN PERMISSION OF TIAL
 PRODUCTS IS STRICTLY PROHIBITED.

MATERIAL

SIZE A	PART NO. QRBV1.5ASSEM	REV A
DRAWN: ES	DATE: 8-3-11	CHECKED:

SHEET: 1 OF 1