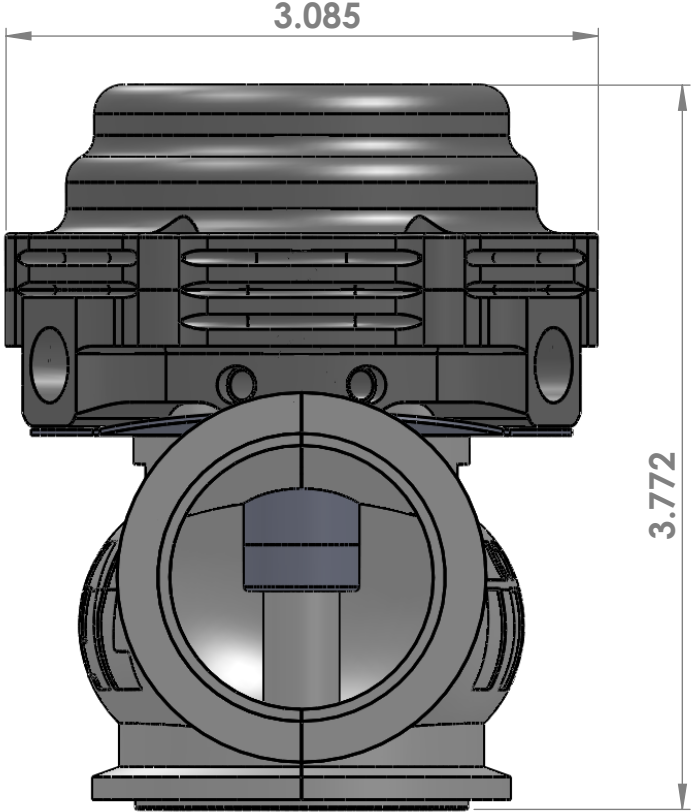
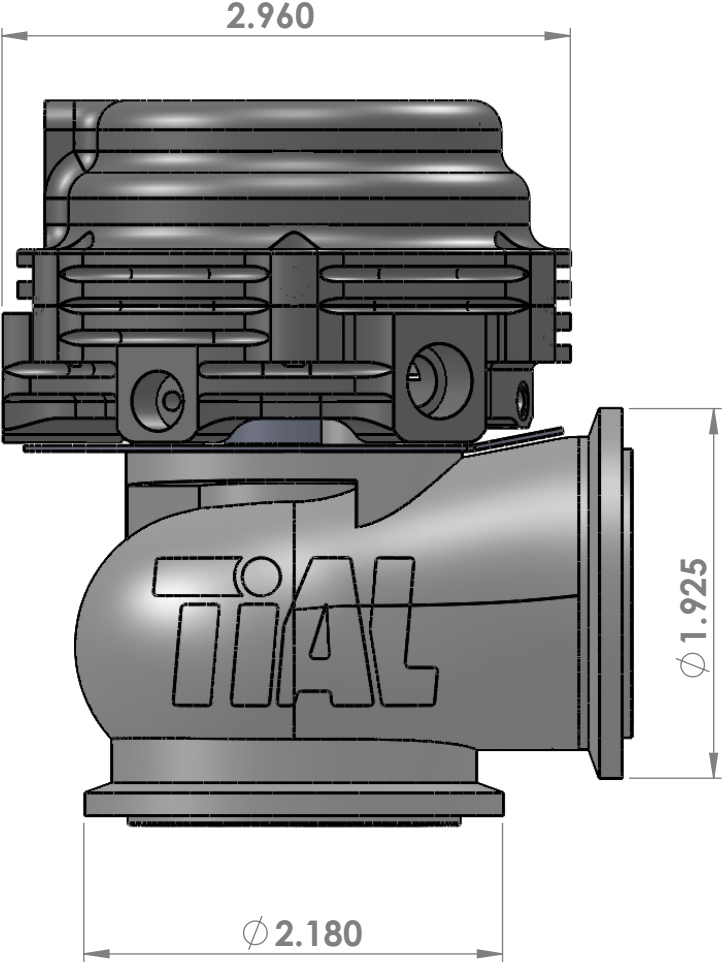


REV		DATE	RELEASED REVISION	DWN
A		5/14/10	RELEASED	ES
-		-	-	-
-		-	-	-



PROPRIETARY AND CONFIDENTIAL
 THE INFORMATION CONTAINED IN THIS DRAWING IS THE SOLE PROPERTY OF TIAL PRODUCTS.
 ANY REPRODUCTION IN PART OR AS A WHOLE WITHOUT THE WRITTEN PERMISSION OF TIAL PRODUCTS IS STRICTLY PROHIBITED.



TITLE			
MV-S			
SIZE	PART NO.		REV
A			A
DRAWN:	DATE:	CHECKED:	SHEET: 1 OF 1
ES	5/14/10	ES	

5

4

3

2

1