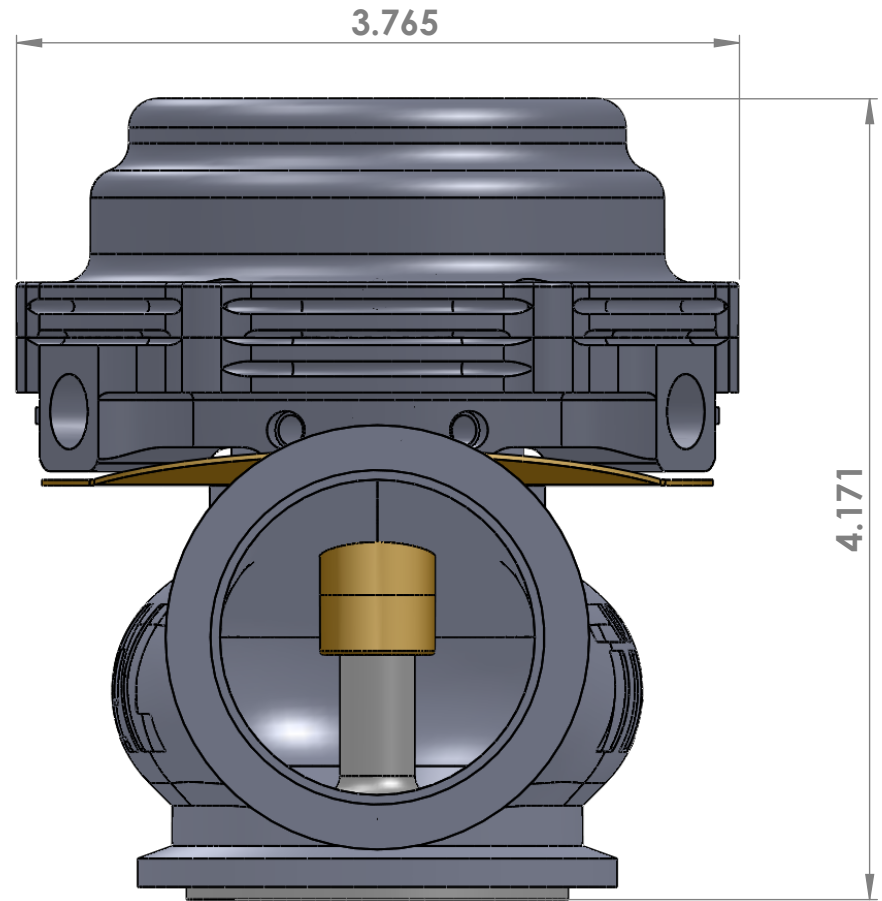
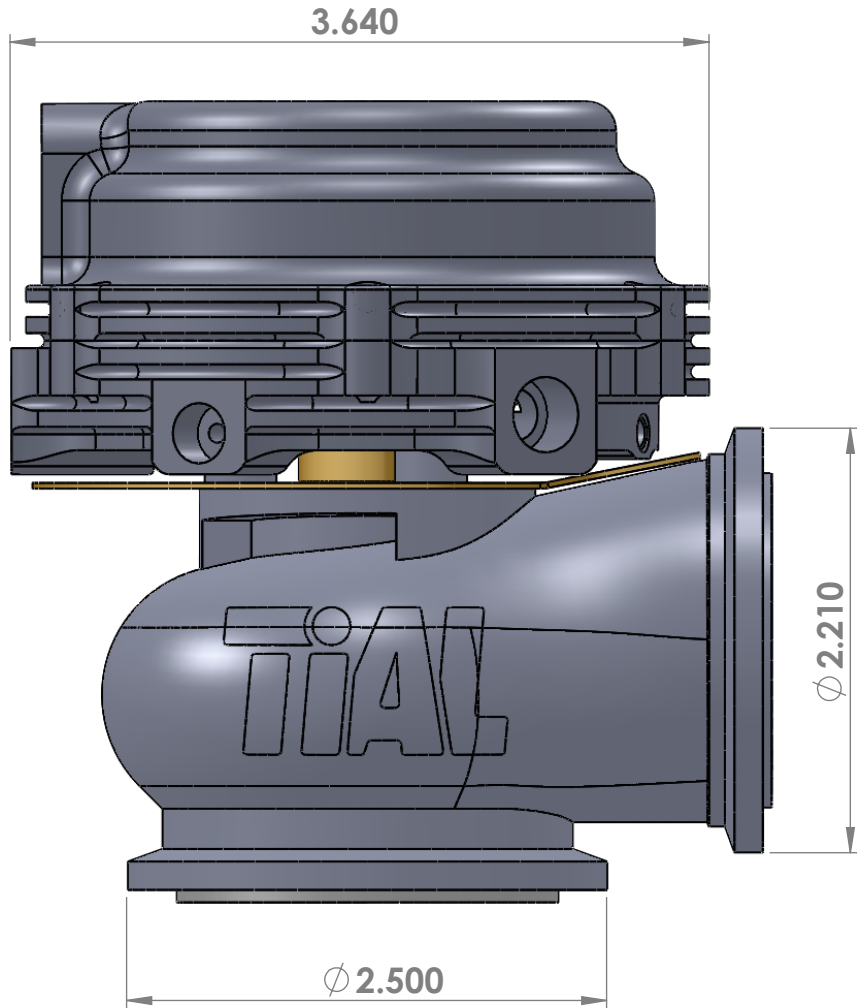


		RELEASED	
REV	DATE	REVISION	DWN
A	5/12/10	RELEASED	ES
-	-	-	-
-	-	-	-



PROPRIETARY AND CONFIDENTIAL
 THE INFORMATION CONTAINED IN THIS DRAWING IS THE SOLE PROPERTY OF TIAL PRODUCTS.
 ANY REPRODUCTION IN PART OR AS A WHOLE WITHOUT THE WRITTEN PERMISSION OF TIAL PRODUCTS IS STRICTLY PROHIBITED.

TIALSPORT
 TIAL PRODUCTS, 450 S. SHIAWASSEE, OWOSSO, MI 48867

TITLE
MV-R

PART NO. _____ REV **A**

DRAWN: ES DATE: 5/12/10 CHECKED: ES SHEET: 1 OF 1

5

4

3

2

1