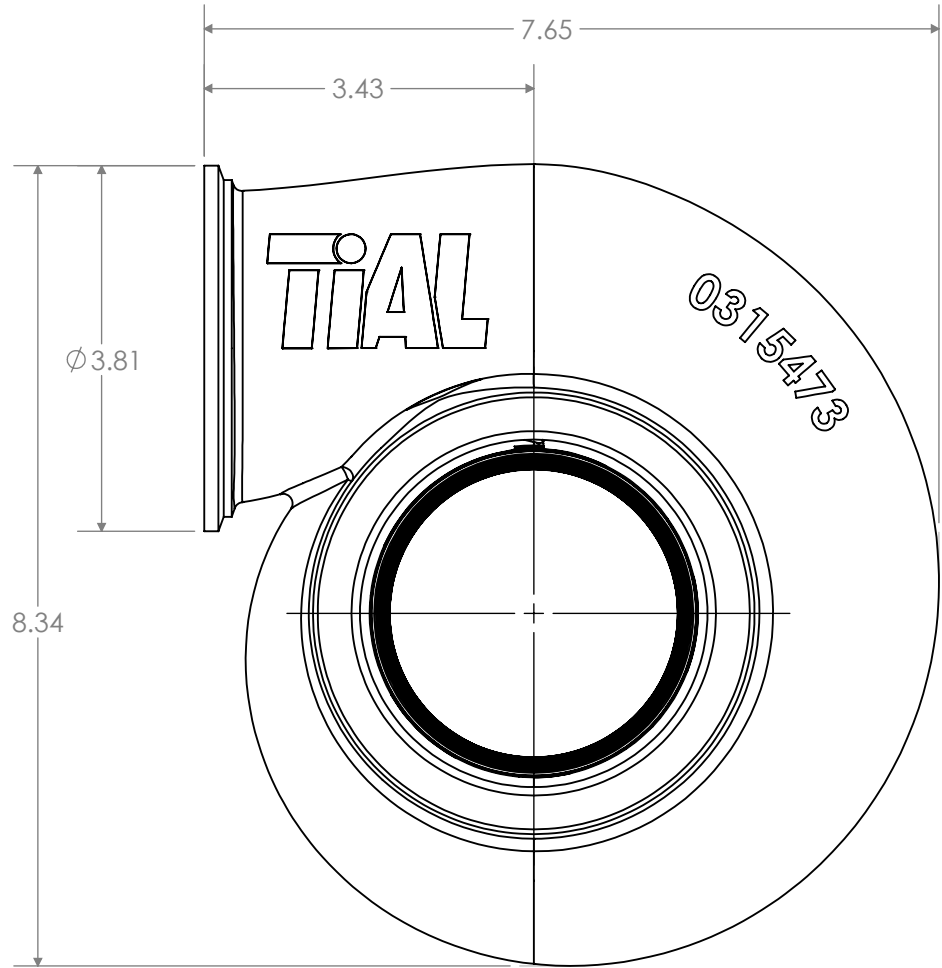
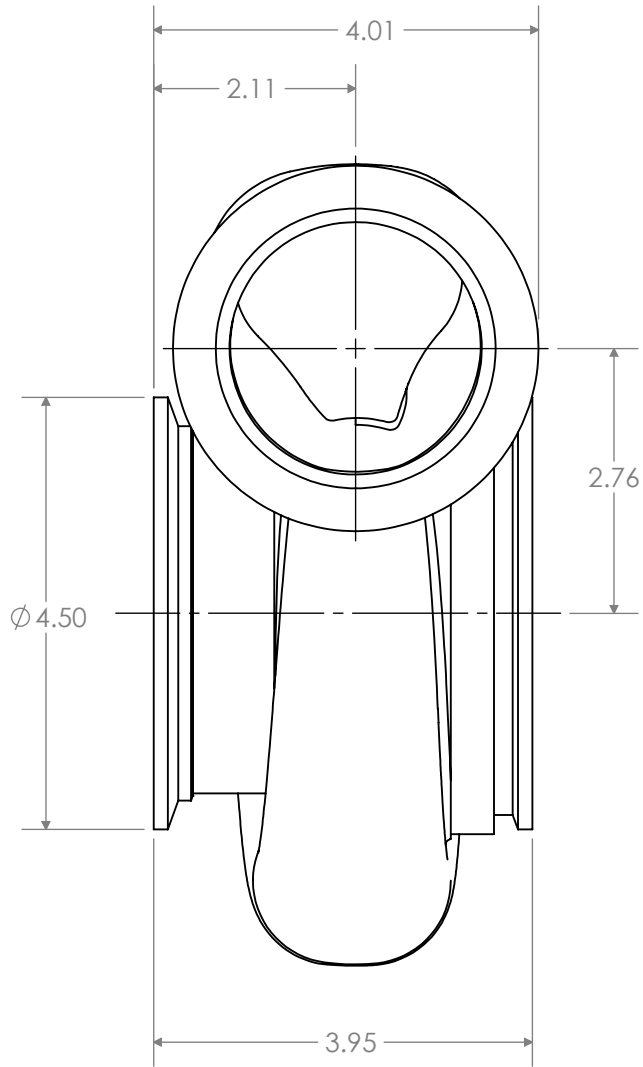


		RELEASED	
REV	DATE	REVISION	DWN
A	9/3/13	RELEASED	JG
-	-	-	-
-	-	-	-



UNLESS OTHERWISE SPECIFIED:
DIMENSIONS ARE IN INCHES
ANGULAR DIMENSIONS ARE IN
DEGREES

DO NOT SCALE DRAWING

PROPRIETARY AND CONFIDENTIAL
THE INFORMATION CONTAINED IN THIS DRAWING IS THE SOLE PROPERTY OF TIAL PRODUCTS.
ANY REPRODUCTION IN PART OR AS A WHOLE WITHOUT THE WRITTEN PERMISSION OF TIAL
PRODUCTS IS STRICTLY PROHIBITED.

TIALSPORT		TIAL PRODUCTS, 450 S. SHIAWASSEE, OWOSSO, MI 48867	
TITLE TIALVB42130 PUBLIC TIALVB45130 PUBLIC			
SIZE A	PART NO. 003020 003023	REV A	
DRAWN: JG	DATE: 9/4/13	CHECKED: (XX)	SHEET: 1 OF 1

5

4

3

2

1