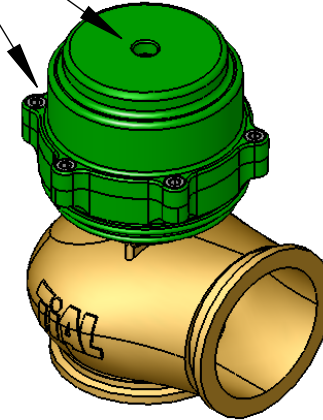


10mm x 1.0 2x



**PROPRIETARY AND CONFIDENTIAL**  
 THE INFORMATION CONTAINED IN THIS DRAWING IS THE SOLE PROPERTY OF TIAL PRODUCTS. ANY REPRODUCTION IN PART OR AS A WHOLE WITHOUT THE WRITTEN PERMISSION OF TIAL PRODUCTS IS PROHIBITED.

|             |         |   |           |      |      |                                    |
|-------------|---------|---|-----------|------|------|------------------------------------|
|             |         | UNLESS OTHERWISE SPECIFIED:   |           | NAME | DATE |                                    |
|             |         | DIMENSIONS ARE IN INCHES<br>TOLERANCES:<br>FRACTIONAL ±<br>ANGULAR: MACH ± BEND ±<br>TWO PLACE DECIMAL ±<br>THREE PLACE DECIMAL ± | DRAWN     |      |      | TITLE:                             |
|             |         |   | CHECKED   |      |      |                                    |
|             |         |   | ENG APPR. |      |      |                                    |
|             |         |   | MFG APPR. |      |      |                                    |
|             |         | INTERPRET GEOMETRIC<br>TOLERANCING PER:   | Q.A.      |      |      | SIZE DWG. NO. REV<br><b>A</b> 60mm |
| NEXT ASSY   | USED ON | MATERIAL  | COMMENTS: |      |      |                                    |
|             |         | FINISH  |           |      |      |                                    |
| APPLICATION |         | DO NOT SCALE DRAWING  |           |      |      | SCALE: 1:5 WEIGHT: SHEET 1 OF 1    |